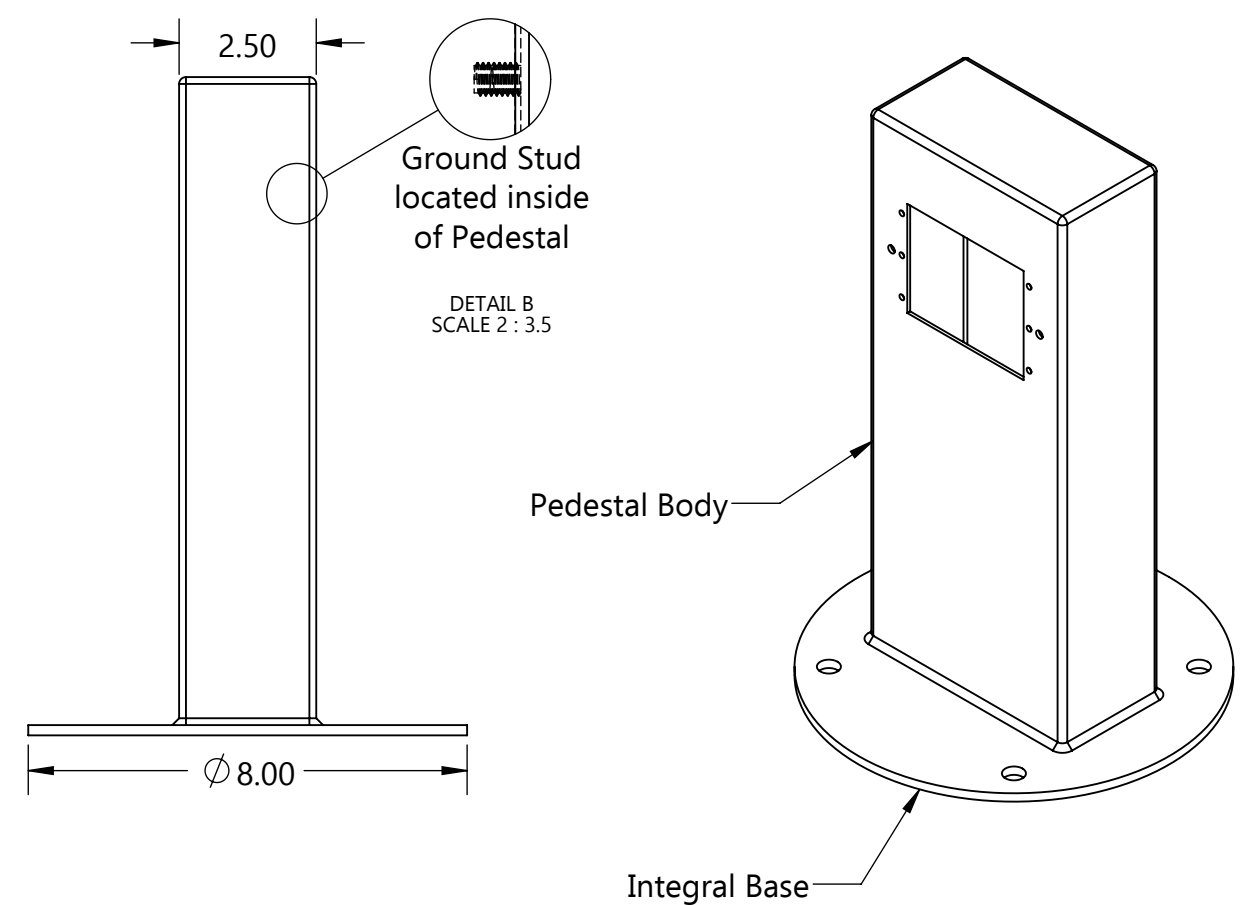
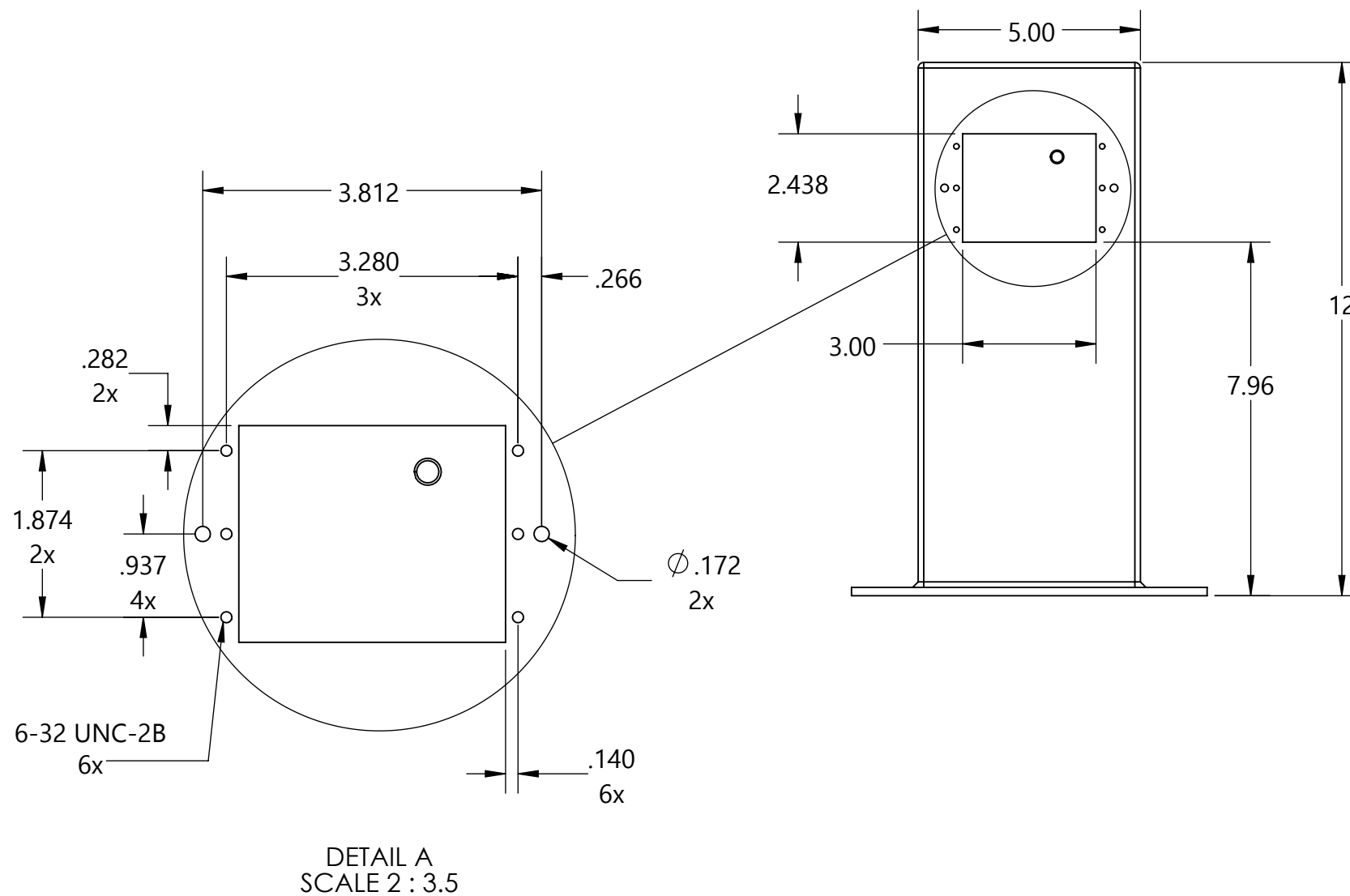


**Model Type:** Standard with Integral Base

**Description:** 12" Standard with Integral Base (1-gang horizontal)



| Part Numbers with Finish Indicated |                                   | Material            |                          |
|------------------------------------|-----------------------------------|---------------------|--------------------------|
| Powder coated stainless steel      |                                   |                     |                          |
| Black (B)                          | 1P12-C-HZ-B                       | Pedestal Body       | 14 gauge stainless steel |
| Gray (G)                           | 1P12-C-HZ-G                       | Integral Base       | 7 gauge stainless steel  |
| Bronze (BRZ)                       | 1P12-C-HZ-BRZ                     |                     |                          |
| Green (GN)                         | 1P12-C-HZ-GN                      |                     |                          |
| Brown (BR)                         | 1P12-C-HZ-BR                      |                     |                          |
| Custom (CSTM)                      | 1P12-C-HZ-CSTM (paint chip req'd) | Packaged Dimensions | 11" x 11" x 21"          |
| Brushed stainless steel            | 1P12-SS-HZ                        | Packaged Weight     | 9 Lbs.                   |

- Base Mounting Hardware (included)**
- (4) 1/4"-20 x 2-1/4" S.S. Wedge Anchors
  - (4) 1/4"-20 S.S. High Crown Acorn Cap Nut
  - (4) 1/4" x Ø 5/8" x .045" Thick S.S. Flat Washer

