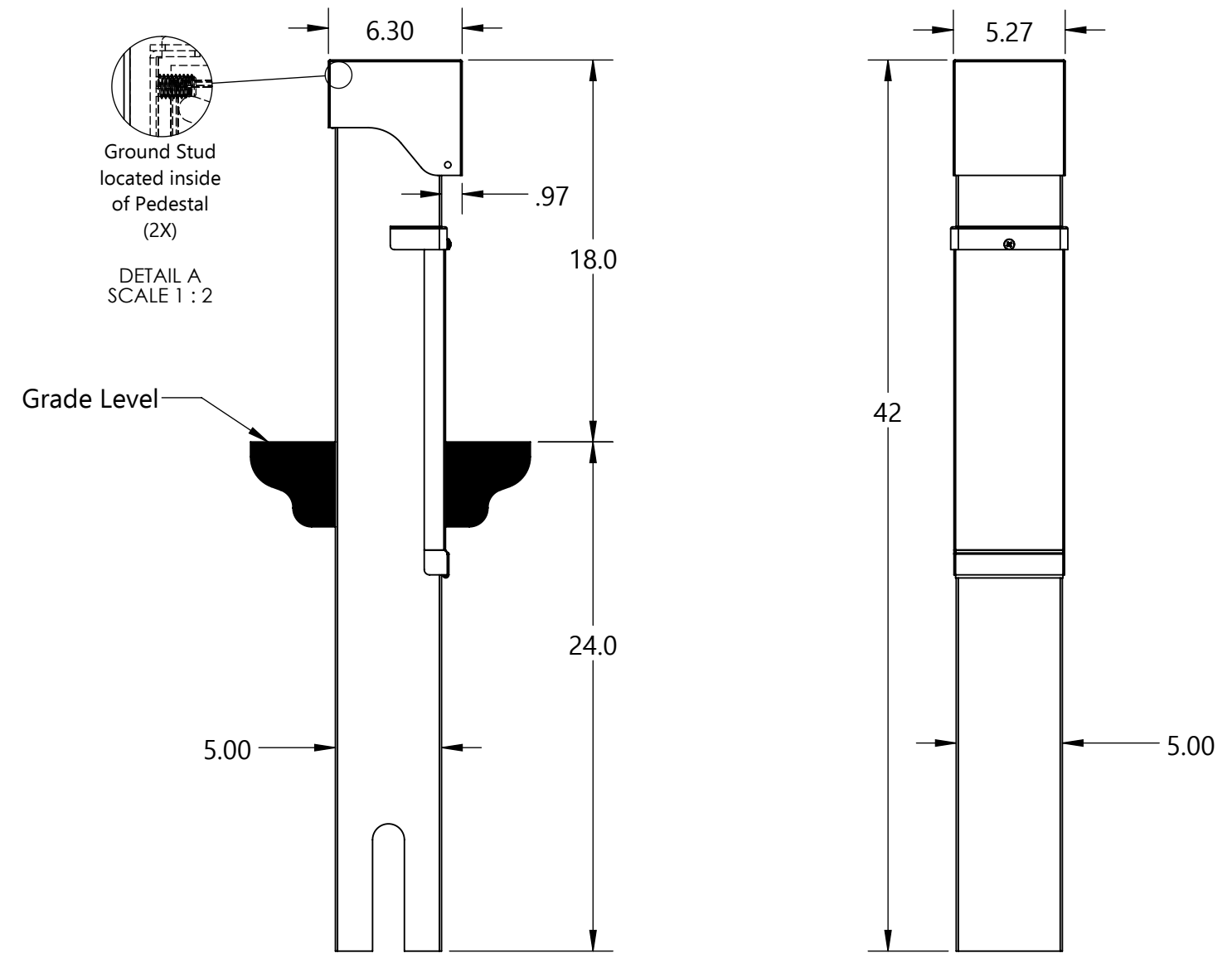
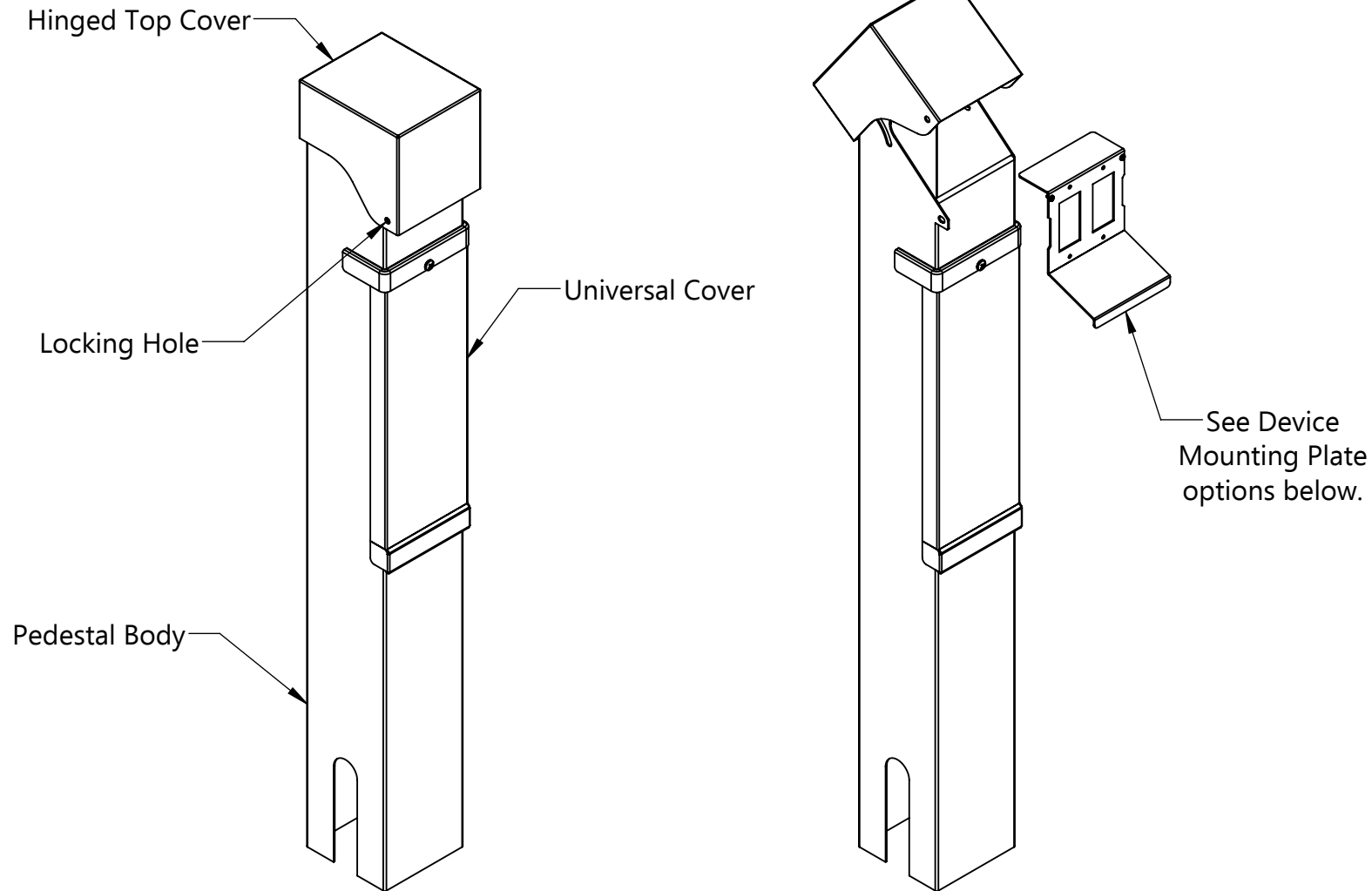


**Model Type:** 5x5 Hinge Top Without Base: Direct Bury  
**Description:** 42" 5x5 Hinge Top Without Base: Direct Bury



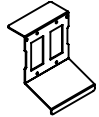
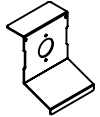
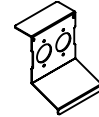
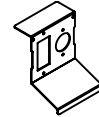
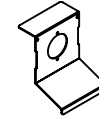
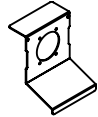
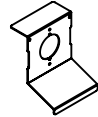
**Material**

14 Ga. 304 Stainless Steel: Pedestal Body, Top Cover, Universal Cover, Device Mounting Plate  
 7 Ga. 304 Stainless Steel: Integral Base

**Packaging**

Boxed Dimensions: 11" x 11" x 45"  
 Boxed Weight: 26 Lbs.

**Part Numbering Reference**

Finish/Configuration	2-Gang	30A (1-9/16")	Dual 30A (1-9/16")	20 & 30A (1-9/16")	30A (2-1/8")	50/60A (straight blade recommended)	50A (twist lock)
							
<b>Powder Coated ("C")</b>	542-C-HT-*-140	542-C-HT-*-142	542-C-HT-*-138	542-C-HT-*-144	542-C-HT-*-148	542-C-HT-*-154	542-C-HT-*-176
<b>Brushed Finish ("SS")</b>	542-SS-HT-140	542-SS-HT-142	542-SS-HT-138	542-SS-HT-144	542-SS-HT-148	542-SS-HT-154	542-SS-HT-176

\* Color Code: B = Black, G = Gray, GN = Green, BR = Brown, BRZ = Bronze, CSTM = Custom Color

