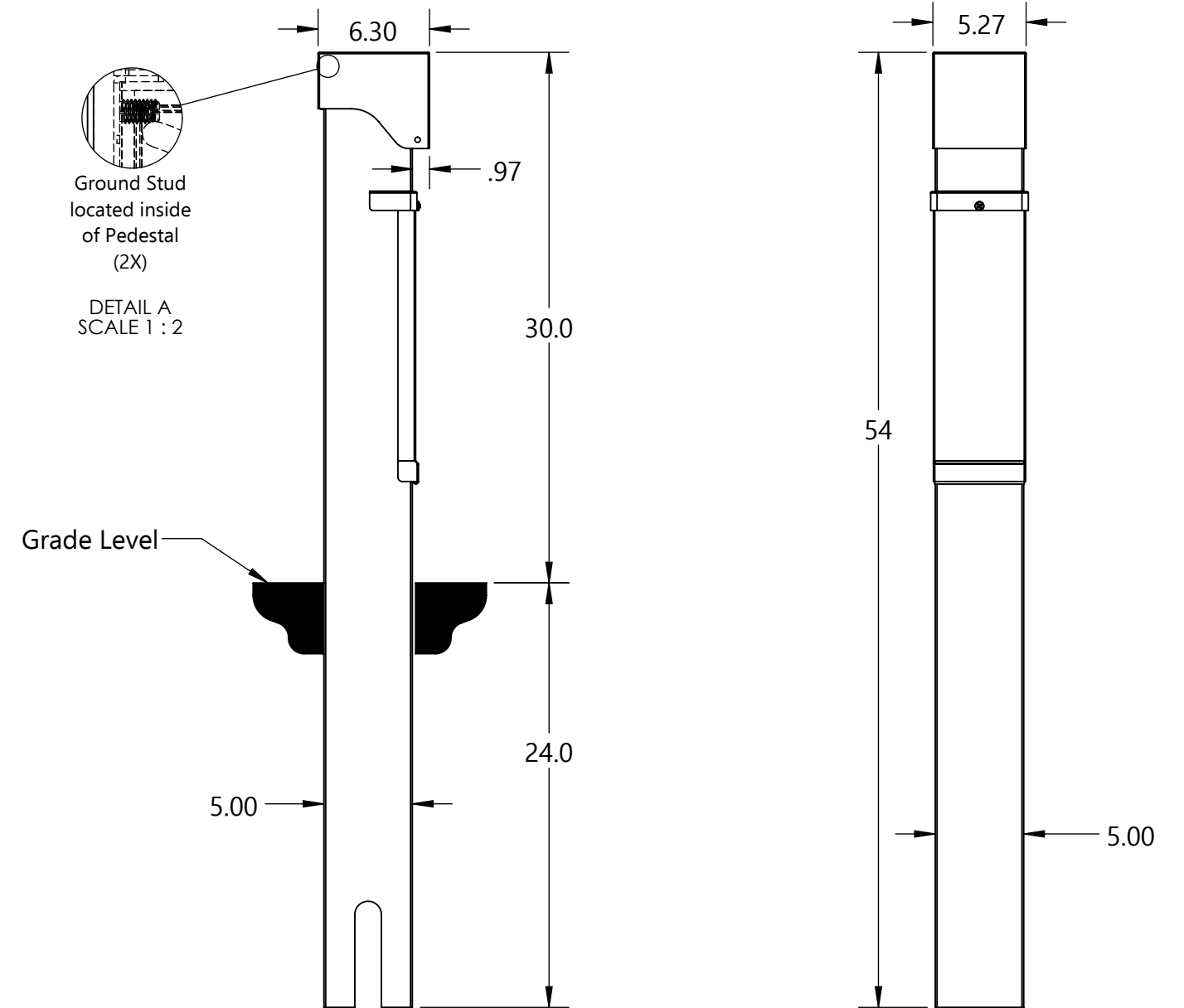
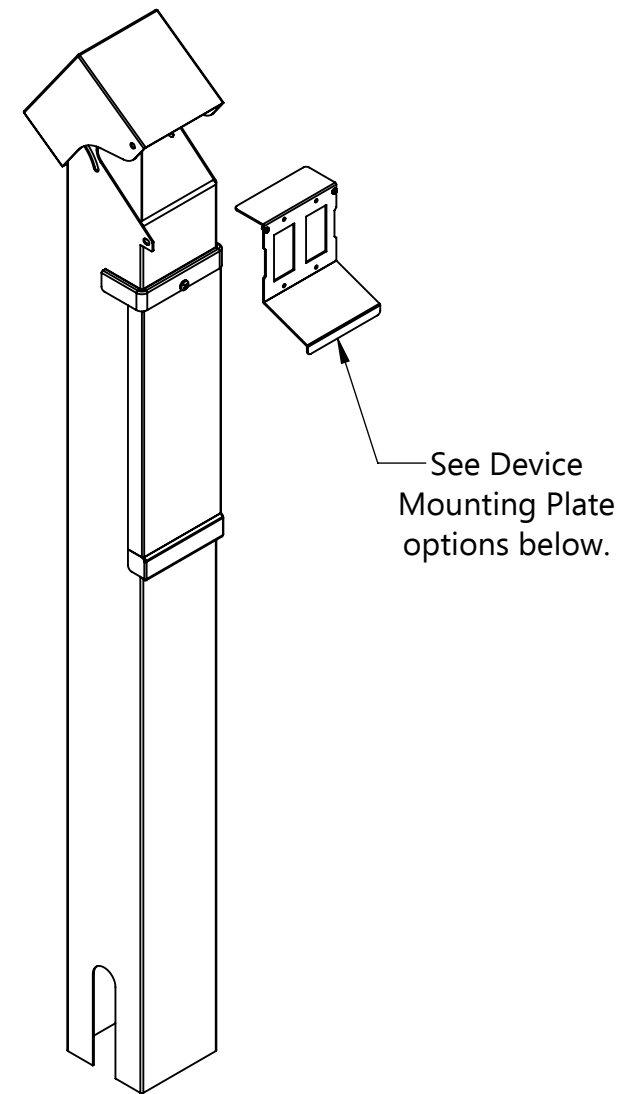
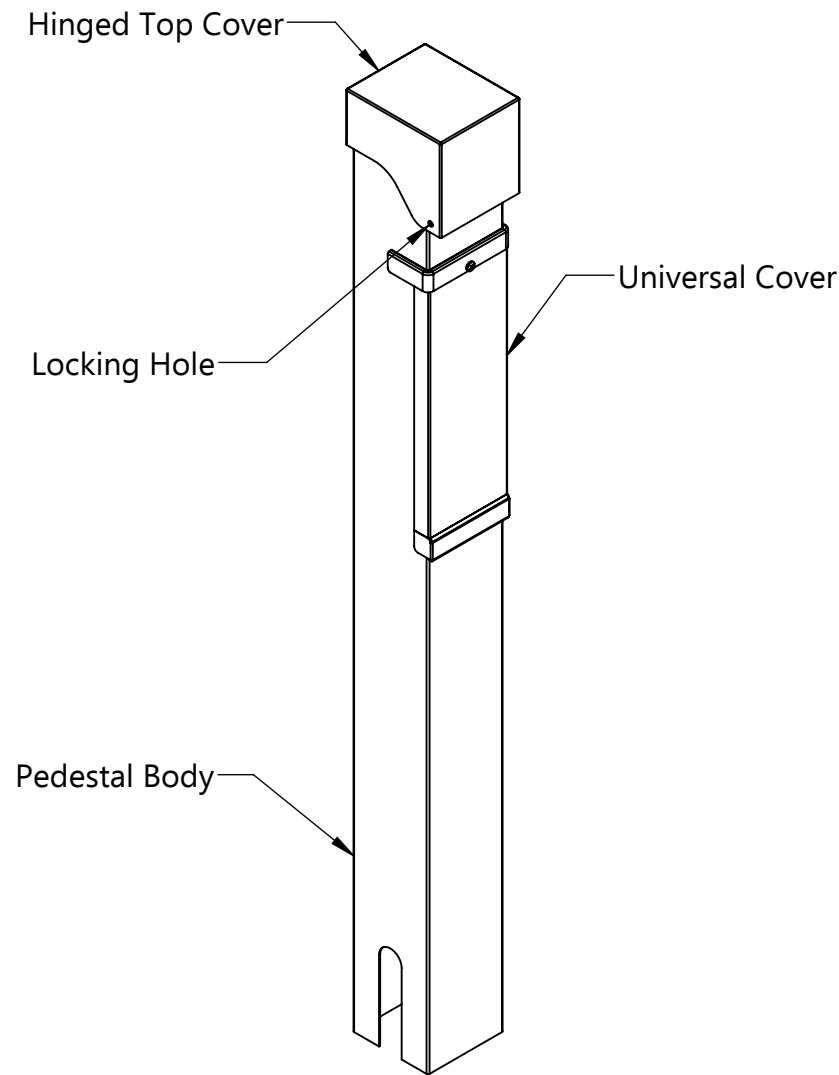


Model Type: 5x5 Hinge Top Without Base: Direct Bury
Description: 54" 5x5 Hinge Top Without Base: Direct Bury



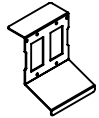
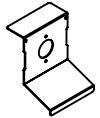
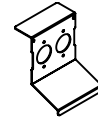
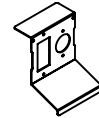
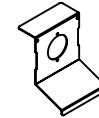
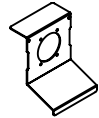
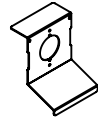
Material

14 Ga. 304 Stainless Steel: Pedestal Body, Top Cover, Universal Cover, Device Mounting Plate
 7 Ga. 304 Stainless Steel: Integral Base

Packaging

Boxed Dimensions: 9" x 9" x 56"
 Boxed Weight: 30 Lbs.

Part Numbering Reference

Finish/Configuration	2-Gang	30A (1-9/16")	Dual 30A (1-9/16")	20 & 30A (1-9/16")	30A (2-1/8")	50/60A (straight blade recommended)	50A (twist lock)
							
Powder Coated ("C")	554-C-HT-*-140	554-C-HT-*-142	554-C-HT-*-138	554-C-HT-*-144	554-C-HT-*-148	554-C-HT-*-154	554-C-HT-*-176
Brushed Finish ("SS")	554-SS-HT-140	554-SS-HT-142	554-SS-HT-138	554-SS-HT-144	554-SS-HT-148	554-SS-HT-154	554-SS-HT-176

* Color Code: B = Black, G = Gray, GN = Green, BR = Brown, BRZ = Bronze, CSTM = Custom Color

PEDOC
 Pedoc Power Solutions
www.pedocpower.com

