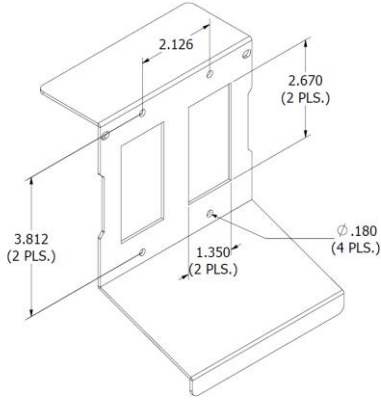


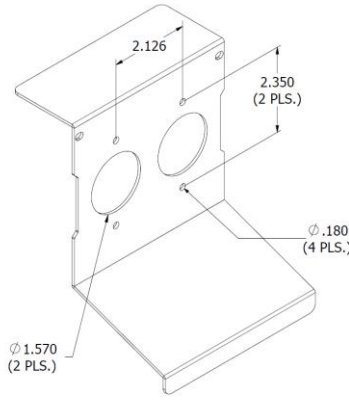
Device Mounting Plates for 5x5 Hinge Top Models

Dimensional Details

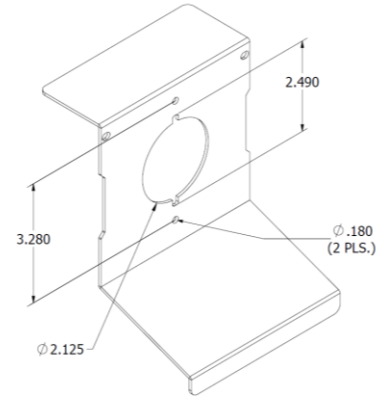
15/20A GFCI (140)



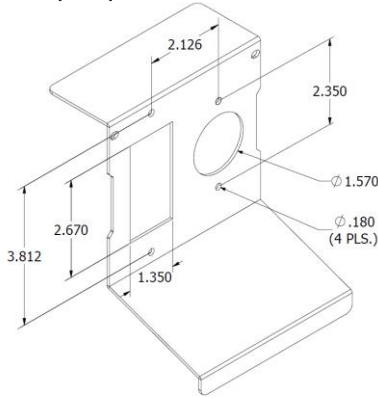
Dual 30A (138)



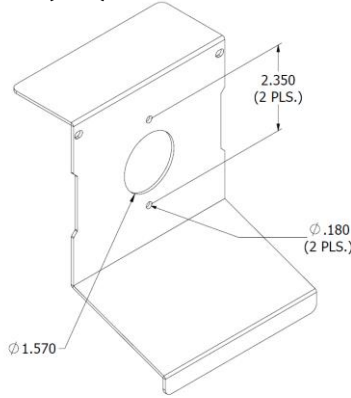
30/50A Turn Lock (176)



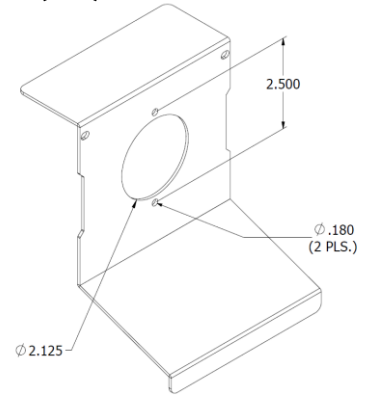
15/20A GFCI & 30A (144)



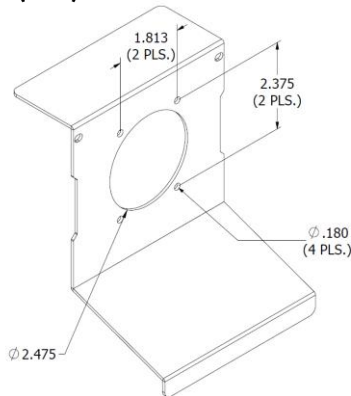
30A (142)



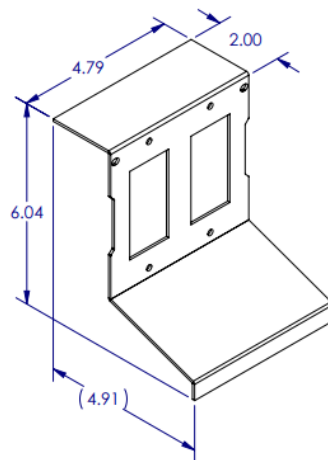
30/50A (148)



50/60A: Straight Blade (154)



Typical Dimensions



Notes:

Hole dimensions are center to center. All device mounting plates are not recommended for 90 degree or angled plugs.