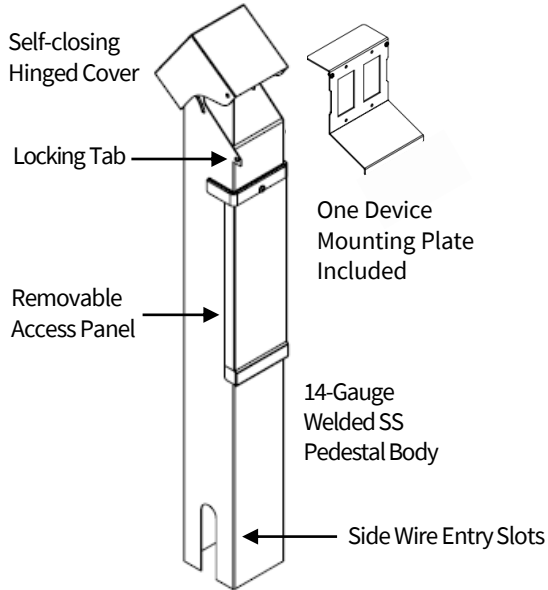


Specifications

Power Pedestal, 5x5 Hinge Top without Base Direct Bury

cULus Listed: Standard 1773. Rated NEMA 3R. ADA compliant heights available.

5x5 , Hinged Cover, Surface Mount, 60 Amp Max



In-ground pedestal for both low amperage and industrial applications. Safely protects outdoor conduit, wiring and devices from shifting ground conditions and other harsh conditions.

- Offered in several 15 – 60 Amp configurations
- Locking hole to prohibit unwanted use
- Completely welded stainless construction
- Self-closing cover prevents ingress of water from outdoor elements
- Spacing between cover and pedestal to allow wiring to pass while-in-use
- May be ordered with an internal dividing channel to separate high and low voltage



Stainless steel tamperproof cover prevents unwanted use

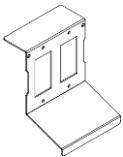
Devices and accessories not supplied

Specifications

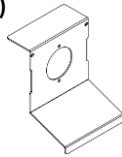
Amperage	60 Amp max. rating
Material	304 Stainless Steel: 14-gauge body, cover and access panel; optional upgrade to 316
Construction	Welded body and weatherproof cover (lockable)
Finishes	Outdoor rated powder coat paint (standard and custom), brushed stainless
Heights	42", 48", 54" (24" must be buried below grade)
Dimensions	5" wide by 5" deep pedestal with 5-1/4" wide by 6-1/4" deep cover
Devices	Not supplied; can accommodate 15 – 60 Amp weather-resistant devices
Device Mount	Removable GFCI device mounting plate insert included
Cover	Auto-closing cover provides protection to meet while-in-use requirements for 15 and 20A devices; for aesthetics only when used with 30 – 60A devices
Hardware	Pre-installed stainless steel grounding hardware included
Application	May be ordered with a divider for high and low voltage (data)
Customization	Custom powder coat options
Installation	Open bottom, removeable wire access panel and wire entry slots

Several Device Mounting Configurations (see next page for part numbers)

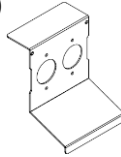
15/20A GFCI (140)



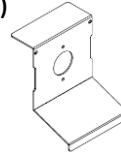
30/50A (148)



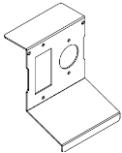
Dual 30A (138)



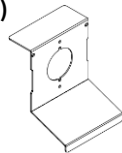
30/50A (142)



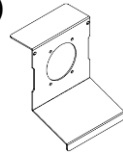
15/20A GFCI & 30A (144)



30/50A Turn Lock (176)



50/60A Straight Blade (154)



Notes:

All device mounting plates are not recommended for 90 degree or angled plugs.

See last page for dimensional details.

See next page for part numbers →→

Part Numbering

Power Pedestal, 5x5 Hinge Top without Base

Direct Bury



Part Numbering for Power Only Applications

Device Plate	Overall Length	Powder Coat SS ("C")	Brushed SS ("SS")	Device Plate	Overall Length	Powder Coat SS ("C")	Brushed SS ("SS")
15/20A GFCI (140) 	42"	542-C-HT-*-140	542-SS-HT-140	Dual 30A (138) 	42"	542-C-HT-*-138	542-SS-HT-138
	48"	548-C-HT-*-140	548-SS-HT-140		48"	548-C-HT-*-138	548-SS-HT-138
	54"	554-C-HT-*-140	554-SS-HT-140		54"	554-C-HT-*-138	554-SS-HT-138
30A (142) 	42"	542-C-HT-*-142	542-SS-HT-142	15/20A GFCI & 30A (144) 	42"	542-C-HT-*-144	542-SS-HT-144
	48"	548-C-HT-*-142	548-SS-HT-142		48"	548-C-HT-*-144	548-SS-HT-144
	54"	554-C-HT-*-142	554-SS-HT-142		54"	554-C-HT-*-144	554-SS-HT-144
30/50A (148) 	42"	542-C-HT-*-148	542-SS-HT-148	50/60A Straight Blade (154) 	42"	542-C-HT-*-154	542-SS-HT-154
	48"	548-C-HT-*-148	548-SS-HT-148		48"	548-C-HT-*-154	548-SS-HT-154
	54"	554-C-HT-*-148	554-SS-HT-148		54"	554-C-HT-*-154	554-SS-HT-154
30/50A Turn Lock (176) 	42"	542-C-HT-*-176	542-SS-HT-176	Notes: All device mounting plates are not recommended for 90 degree or angled plugs. See last page for dimensional details.			
	48"	548-C-HT-*-176	548-SS-HT-176				
	54"	554-C-HT-*-176	554-SS-HT-176				

Part Numbering for High and Low Voltage Applications

Device Plate	Overall Length	Powder Coat SS ("C")	Brushed SS ("SS")	Device Plate	Overall Length	Powder Coat SS ("C")	Brushed SS ("SS")
15/20A GFCI (140) 	42"	542-C-D-HT-*-140	542-SS-D-HT-140	15/20A GFCI & 30A (144) 	42"	542-C-D-HT-*-144	542-SS-D-HT-144
	48"	548-C-D-HT-*-140	548-SS-D-HT-140		48"	548-C-D-HT-*-144	548-SS-D-HT-144
	54"	554-C-D-HT-*-140	554-SS-D-HT-140		54"	554-C-D-HT-*-144	554-SS-D-HT-144

Part Numbering Guide

Mounting Type	Hgt. in Inches	Finish Type	High/low Volt. Divider	Cover	Color (coated only)	Device Mtg. Plate
5 (always)	42 48 54	-C (powder coated) -SS (brushed)	-D (divided) (leave blank for power only)	-HT (always)	-B (black) -G (gray) -BRZ (bronze) -GN (green) -BR (brown) -CSTM (custom) leave blank for "SS" finish	-138 (Dual 30A) -140 (15/20A GFCI) -142 (30A) -144 (15/20A GFCI & 30A) -148 (30/50A) -154 (50/60A Straight Blade) -176 (30/50A Turn Lock)

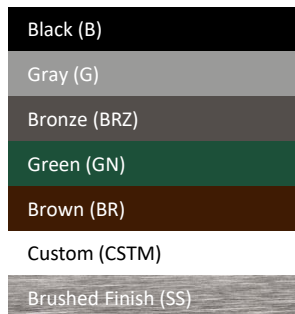
Example:
542-C-HT-B-140: 5x5, 42" overall length, powder coated, hinge top, black, 15/20A GFCI device plate

5 (always)	48 48" high	-C Coated	-D Blank	-HT (always)	-B Black	-140 15/20A GFCI
----------------------	-----------------------	---------------------	--------------------	------------------------	--------------------	----------------------------

Finishes

*** Insert powder coat finish code:**

B = black, G = gray, BRZ = bronze, GN = green, BR = brown, CSTM = custom



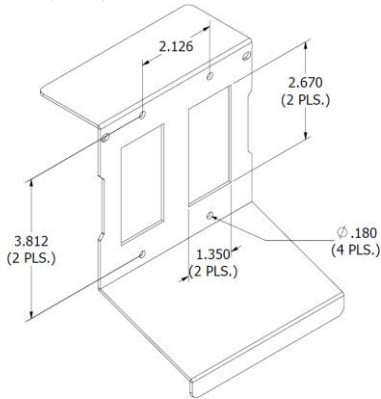
Device Mounting Plates

Power Pedestal, 5x5 Hinge Top without Base
Direct Bury

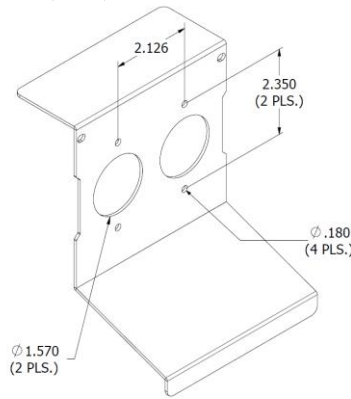


Dimensional Details

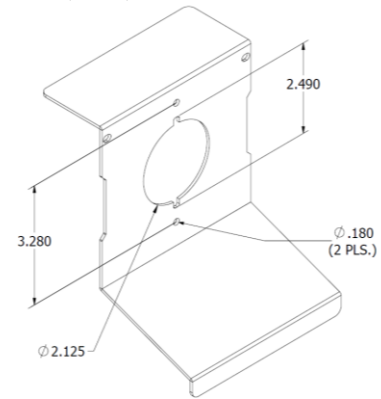
**15/20A GFCI
(140)**



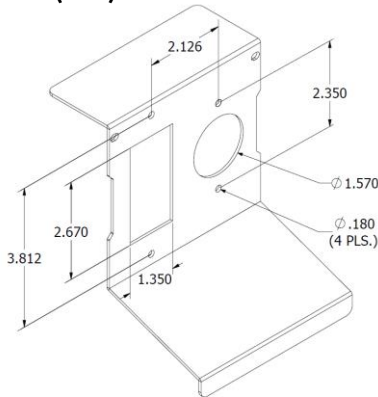
**Dual 30A
(138)**



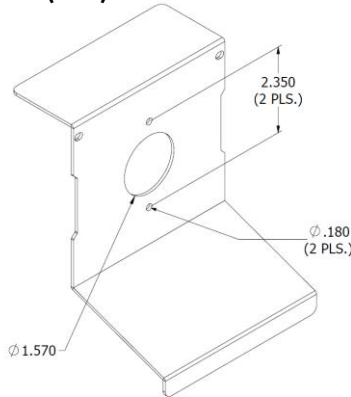
**30/50A Turn Lock
(176)**



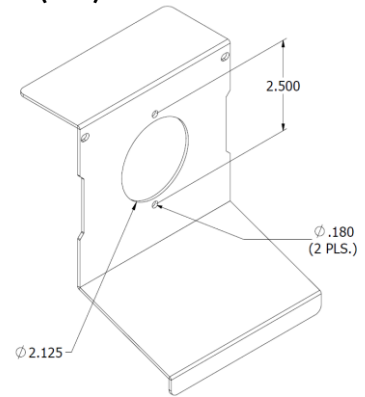
**15/20A GFCI & 30A
(144)**



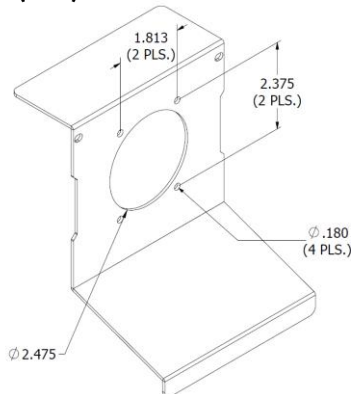
**30A
(142)**



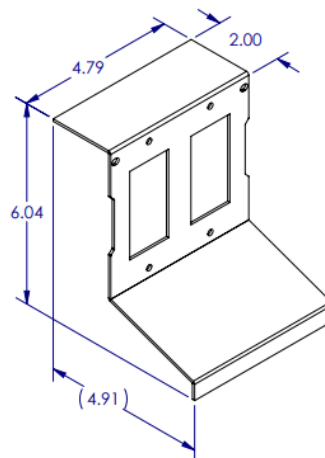
**30/50A
(148)**



**50/60A: Straight Blade
(154)**



Typical Dimensions



Notes:

Hole dimensions are center to center. All device mounting plates are not recommended for 90 degree or angled plugs.