

Specifications

Power Pedestal, 5x5 Hinge Top with Integral Base Surface Mount



cULus Listed: Standard 1773. Rated NEMA 3R. ADA compliant heights available.

5x5, Hinged Cover, Surface Mount, 60 Amp Max



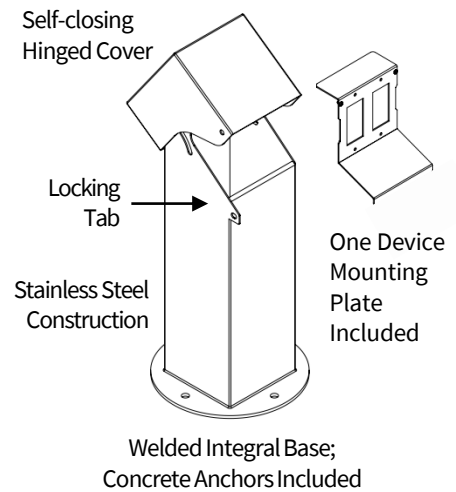
Seamless welded stainless steel construction

With a built-in tamper-proof cover and welded integral base, this durable wide body power pedestal safely protects outdoor conduit, wiring and devices. Well-suited for powering food trucks, scoreboards, engine block heaters, personal devices, maintenance equipment and more.

- Self-closing cover prevents ingress of water and other outside elements
- Solid construction saves on costly repair and replacement maintenance
- Locking tab to prevent unwanted use
- Heavy stainless steel welded construction for maximum protection
- Spacing between cover and pedestal to allow wiring to pass through while-in-use
- May be ordered with an internal dividing channel to separate high and low voltage
- Pre-installed grounding hardware and concrete anchors included

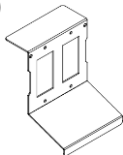
Specifications

Amperage	60 Amp max. rating
Material	304 Stainless Steel: 14-gauge body, 7-gauge base; optional upgrade to 316
Construction	Welded pedestal body, base and weatherproof cover (lockable)
Finishes	Outdoor rated powder coat paint (standard and custom), brushed stainless
Heights	18", 24", 30", 36", 42", 48"
Dimensions	5" wide by 5" deep pedestal; 5-1/4" wide by 6-1/4" deep cover, 8-1/2" diameter base
Devices	Not supplied; can accommodate 15 – 60 Amp weather-resistant devices
Device Mount	Removable receptacle mounting plate included
Cover	Auto-closing cover provides protection to meet while-in-use requirements
Hardware	Pre-installed SS grounding hardware; concrete anchoring hardware included
Application	May be ordered with a divider for high and low voltage
Customization	Custom powder coat option

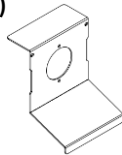


Device Mounting Configurations

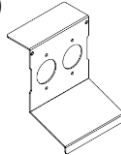
15/20A GFCI (140)



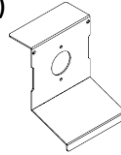
30/50A (148)



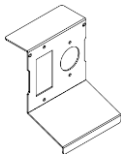
Dual 30A (138)



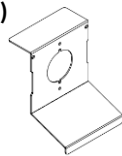
30/50A (142)



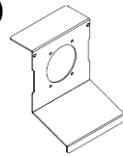
15/20A GFCI & 30A (144)



30/50A Turn Lock (176)



50/60A Straight Blade (154)



Notes:

All device mounting plates are not recommended for 90 degree or angled plugs.

See last page for dimensional details.

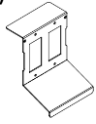
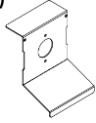
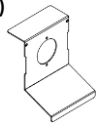
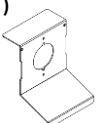
See next page for part numbers →→

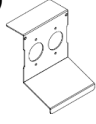
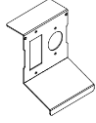
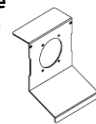
Part Numbering

Power Pedestal, 5x5 Hinge Top with Integral Base
Surface Mount



Part Numbering for Power Only Applications

Device Plate	Height	Powder Coated SS	Brushed SS
15/20A GFCI (140) 	18"	5P18-C-HT-*140	5P18-SS-HT-140
	24"	5P24-C-HT-*140	5P24-SS-HT-140
	30"	5P30-C-HT-*140	5P30-SS-HT-140
	36"	5P36-C-HT-*140	5P36-SS-HT-140
	42"	5P42-C-HT-*140	5P42-SS-HT-140
	48"	5P48-C-HT-*140	5P48-SS-HT-140
30A (142) 	18"	5P18-C-HT-*142	5P18-SS-HT-142
	24"	5P24-C-HT-*142	5P24-SS-HT-142
	30"	5P30-C-HT-*142	5P30-SS-HT-142
	36"	5P36-C-HT-*142	5P36-SS-HT-142
	42"	5P42-C-HT-*142	5P42-SS-HT-142
	48"	5P48-C-HT-*142	5P48-SS-HT-142
30/50A (148) 	18"	5P18-C-HT-*148	5P18-SS-HT-148
	24"	5P24-C-HT-*148	5P24-SS-HT-148
	30"	5P30-C-HT-*148	5P30-SS-HT-148
	36"	5P36-C-HT-*148	5P36-SS-HT-148
	42"	5P42-C-HT-*148	5P42-SS-HT-148
	48"	5P48-C-HT-*148	5P48-SS-HT-148
30/50A Turn Lock (176) 	18"	5P18-C-HT-*176	5P18-SS-HT-176
	24"	5P24-C-HT-*176	5P24-SS-HT-176
	30"	5P30-C-HT-*176	5P30-SS-HT-176
	36"	5P36-C-HT-*176	5P36-SS-HT-176
	42"	5P42-C-HT-*176	5P42-SS-HT-176
	48"	5P48-C-HT-*176	5P48-SS-HT-176

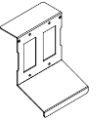
Device Plate	Height	Powder Coated SS	Brushed SS
Dual 30A (138) 	18"	5P18-C-HT-*138	5P18-SS-HT-138
	24"	5P24-C-HT-*138	5P24-SS-HT-138
	30"	5P30-C-HT-*138	5P30-SS-HT-138
	36"	5P36-C-HT-*138	5P36-SS-HT-138
	42"	5P42-C-HT-*138	5P42-SS-HT-138
	48"	5P48-C-HT-*138	5P48-SS-HT-138
15/20A GFCI & 30A (144) 	18"	5P18-C-HT-*144	5P18-SS-HT-144
	24"	5P24-C-HT-*144	5P24-SS-HT-144
	30"	5P30-C-HT-*144	5P30-SS-HT-144
	36"	5P36-C-HT-*144	5P36-SS-HT-144
	42"	5P42-C-HT-*144	5P42-SS-HT-144
	48"	5P48-C-HT-*144	5P48-SS-HT-144
50/60A: Straight Blade (154) 	18"	5P18-C-HT-*154	5P18-SS-HT-154
	24"	5P24-C-HT-*154	5P24-SS-HT-154
	30"	5P30-C-HT-*154	5P30-SS-HT-154
	36"	5P36-C-HT-*154	5P36-SS-HT-154
	42"	5P42-C-HT-*154	5P42-SS-HT-154
	48"	5P48-C-HT-*154	5P48-SS-HT-154

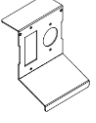
Notes:

All device mounting plates are not recommended for 90 degree or angled plugs.

See last page for dimensional details.

Part Numbering for High and Low Voltage Applications

Device Plate	Height	Powder Coated SS	Brushed SS
15/20A GFCI (140) 	18"	5P18-C-D-HT-*140	5P18-SS-D-HT-140
	24"	5P24-C-D-HT-*140	5P24-SS-D-HT-140
	30"	5P30-C-D-HT-*140	5P30-SS-D-HT-140
	36"	5P36-C-D-HT-*140	5P36-SS-D-HT-140
	42"	5P42-C-D-HT-*140	5P42-SS-D-HT-140
	48"	5P48-C-D-HT-*140	5P48-SS-D-HT-140

Device Plate	Height	Powder Coated SS	Brushed SS
15/20A GFCI & 30A (144) 	18"	5P18-C-D-HT-*144	5P18-SS-D-HT-144
	24"	5P24-C-D-HT-*144	5P24-SS-D-HT-144
	30"	5P30-C-D-HT-*144	5P30-SS-D-HT-144
	36"	5P36-C-D-HT-*144	5P36-SS-D-HT-144
	42"	5P42-C-D-HT-*144	5P42-SS-D-HT-144
	48"	5P48-C-D-HT-*144	5P48-SS-D-HT-144

Part Numbering Guide

Mtg Type	Hgt. in Inches	Finish Type	High/low Volt. divider	Cover	Color (coated only)	Device Mtg. Plate
5P (always)	18 24 30 36 42 48	-C (coated with paint) -SS (brushed)	-D (divided) (leave blank for power only)	-HT (always)	-B (black) -G (gray) -BRZ (bronze) -GN (green) -BR (brown) -CSTM (custom) leave blank for "SS" finish	-138 (Dual 30A) -140 (15/20A GFCI) -142 (30A) -144 (15/20A GFCI & 30A) -148 (30/50A) -154 (50/60A Straight Blade) -176 (30/50A Turn Lock)

Example:

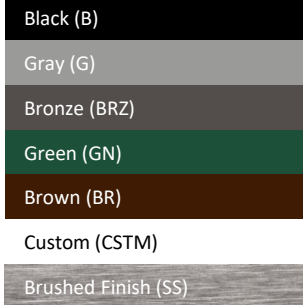
5P18-C-HT-G-140: 5x5 pad mount, 18" high, powder coated, hinge top, gray, 15/20A GFCI device plate

5P (always)	18 18"	-C Coated	-HT Blank	-HT (always)	-G Gray	-140 15/20A GFCI
-------------	-----------	--------------	--------------	--------------	------------	---------------------

Finishes

*** Insert powder coat finish code:**

B = black, G = gray, BRZ = bronze, GN = green, BR = brown, CSTM = custom



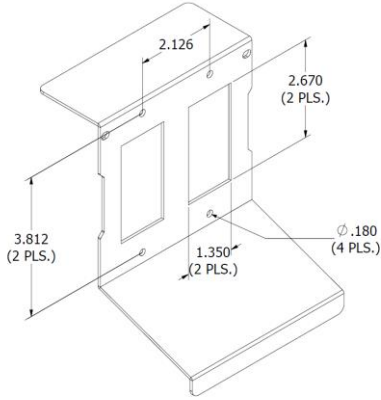
Device Mounting Plates

Power Pedestal, 5x5 Hinge Top with Integral Base
Surface Mount

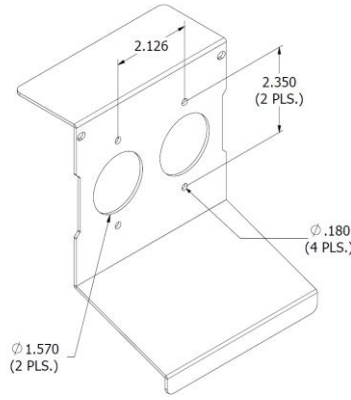


Dimensional Details

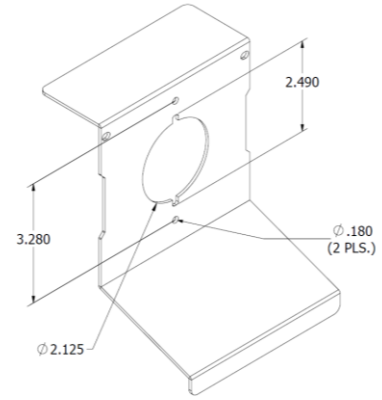
**15/20A GFCI
(140)**



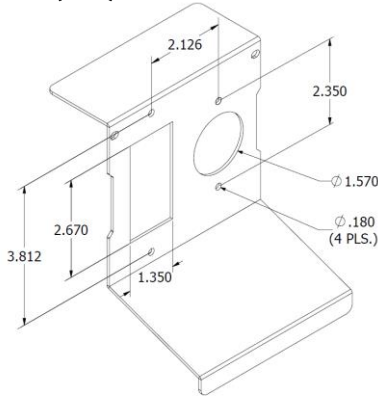
**Dual 30A
(138)**



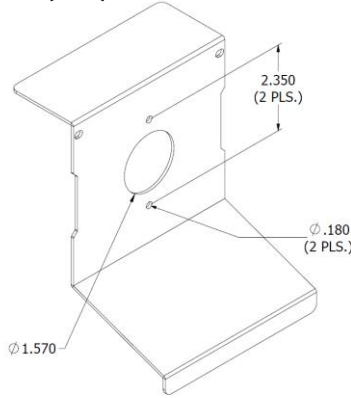
**30/50A Turn Lock
(176)**



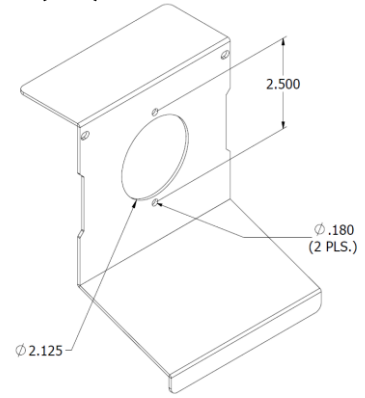
**15/20A GFCI & 30A
(144)**



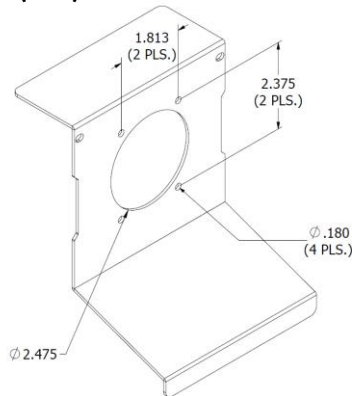
**30A
(142)**



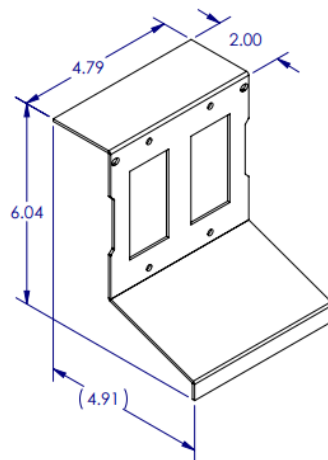
**30/50A
(148)**



**50/60A: Straight Blade
(154)**



Typical Dimensions



Notes:

Hole dimensions are center to center. All device mounting plates are not recommended for 90 degree or angled plugs.