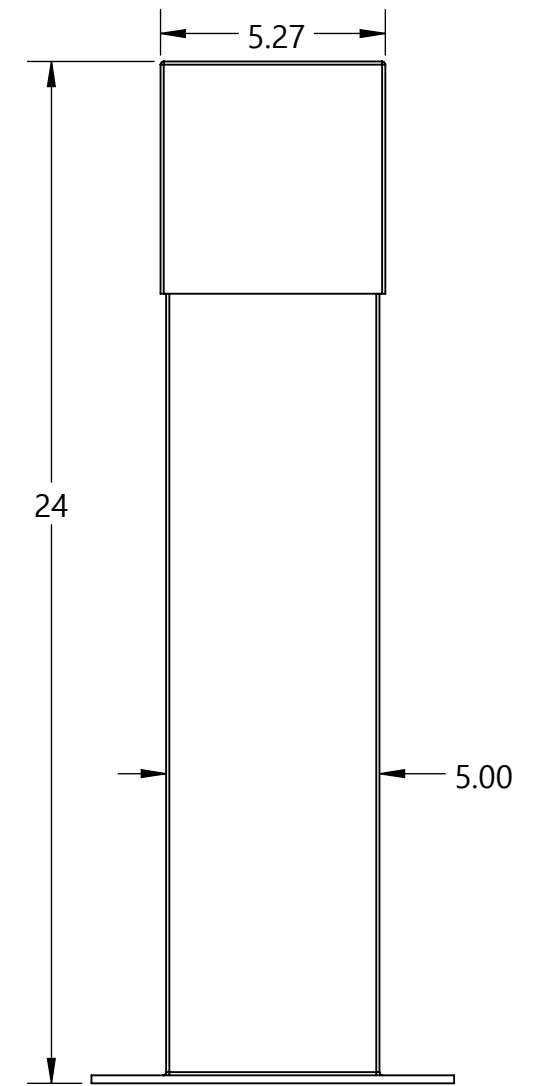
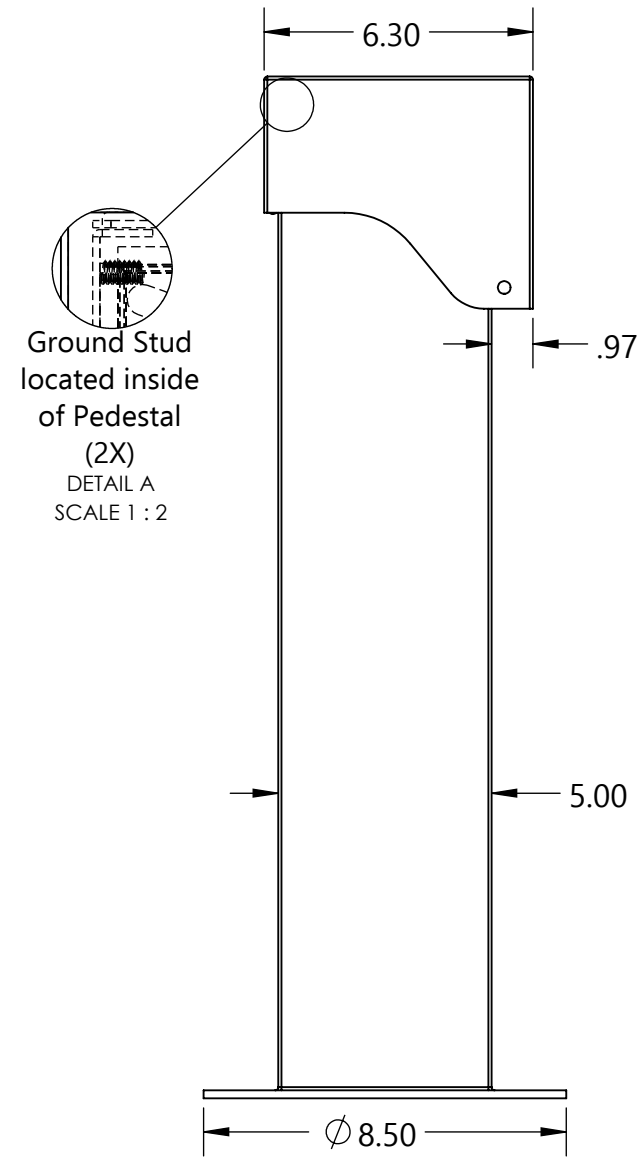
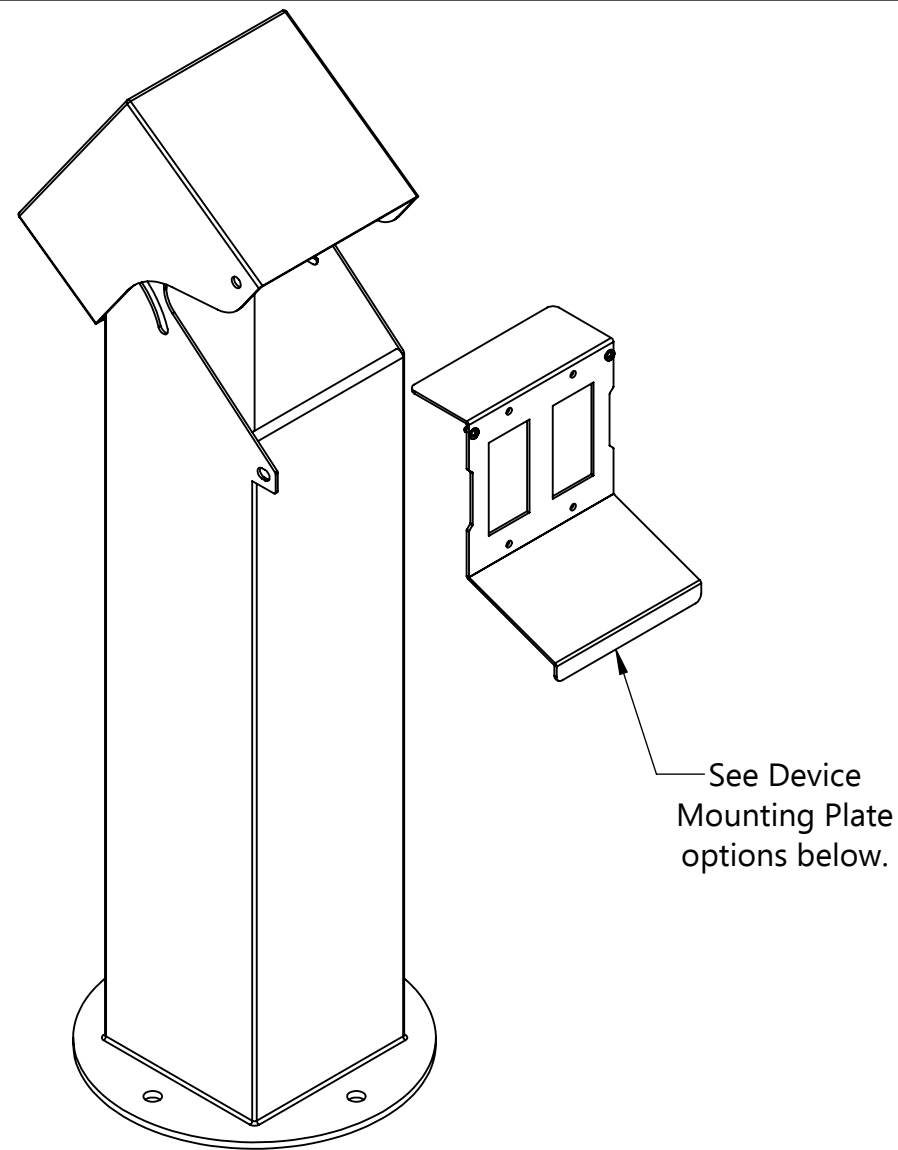
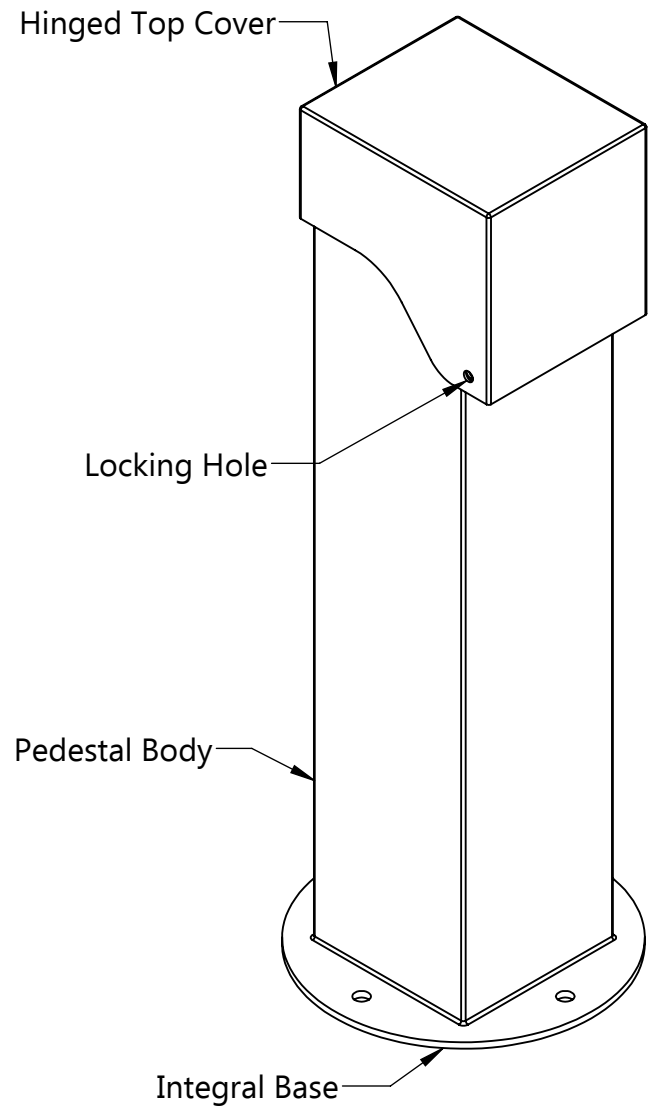


**Model Type:** 5x5 Hinge Top with Integral Base  
**Description:** 24" 5x5 Hinge Top with Integral Base



**Material**

14 Ga. 304 Stainless Steel: Pedestal Body, Cover, Device Mounting Plate  
 7 Ga. 304 Stainless Steel: Integral Base

**Base Mounting Hardware (included)**

- (4) 1/4"-20 x 2-1/4" S.S. Wedge Anchors
- (4) 1/4"-20 S.S. High Crown Acorn Cap Nut
- (4) 1/4" x Ø 5/8" x .045" Thick S.S. Flat Washer

**Packaging**

Boxed Dimensions: 11" x 11" x 27"  
 Boxed Weight: 18 Lbs.

**Part Numbering Reference**

| Finish/Configuration         | Dual<br>15/20A<br>GFCI | 30A<br>(1-9/16") | Dual<br>30A<br>(1-9/16") | 15/20A GFCI<br>&<br>30A (1-9/16") | 30/50A<br>(2-1/8") | 50/60A<br>(Straight Bade<br>Rcommended) | 30/50A<br>(Turn Lock) |
|------------------------------|------------------------|------------------|--------------------------|-----------------------------------|--------------------|---|-----------------------|
|                              |                        |                  |                          |                                   |                    |   |                       |
| <b>Powder Coated ("C")</b>   | 5P24-C-HT-*-140        | 5P24-C-HT-*-142  | 5P24-C-HT-*-138          | 5P24-C-HT-*-144                   | 5P24-C-HT-*-148    | 5P24-C-HT-*-154                         | 5P24-C-HT-*-176       |
| <b>Brushed Finish ("SS")</b> | 5P24-SS-HT-140         | 5P24-SS-HT-142   | 5P24-SS-HT-138           | 5P24-SS-HT-144                    | 5P24-SS-HT-148     | 5P24-SS-HT-154                          | 5P24-SS-HT-176        |

\* Color Code: B = Black, G = Gray, GN = Green, BR = Brown, BRZ = Bronze, CSTM = Custom Color

