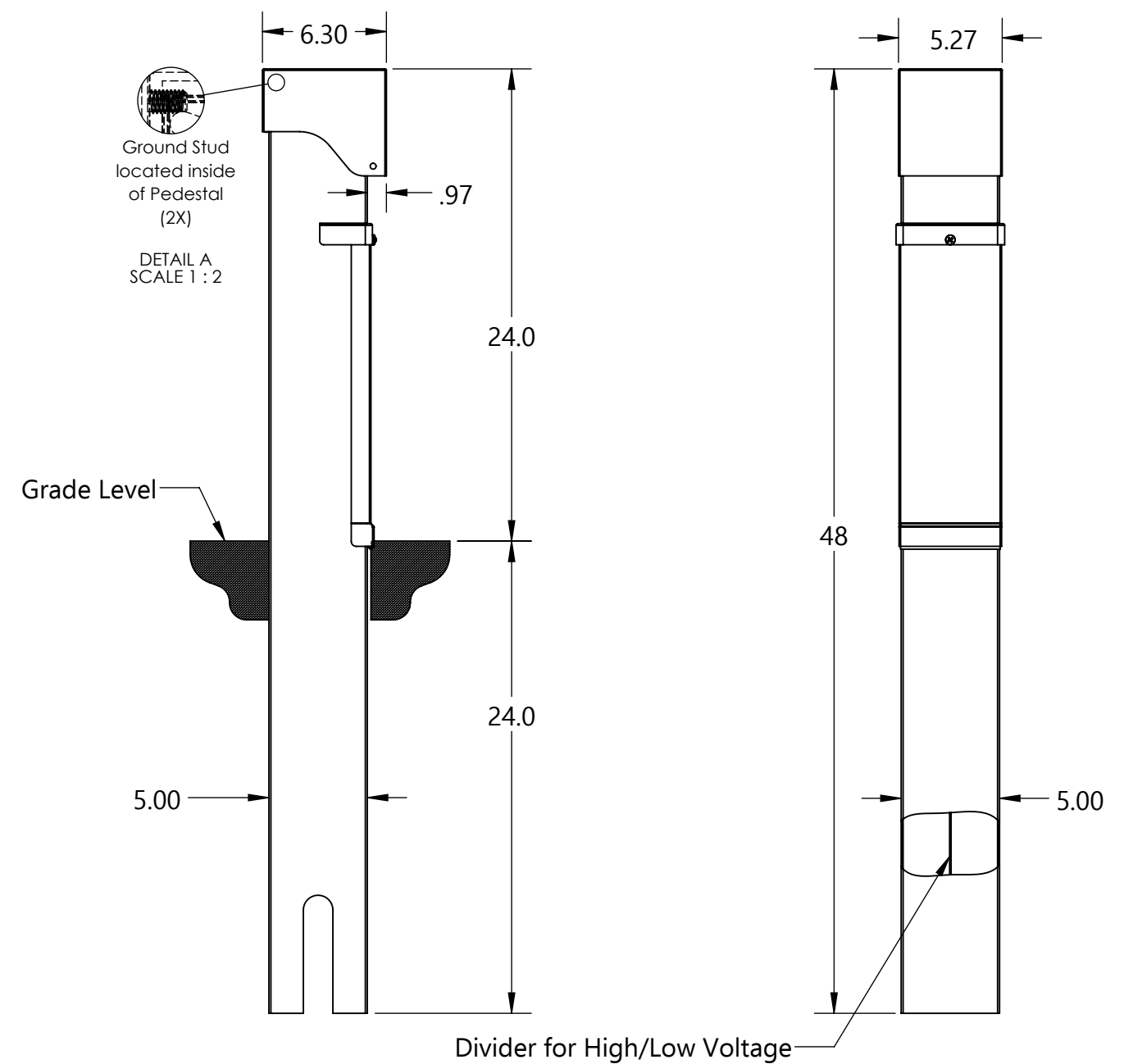
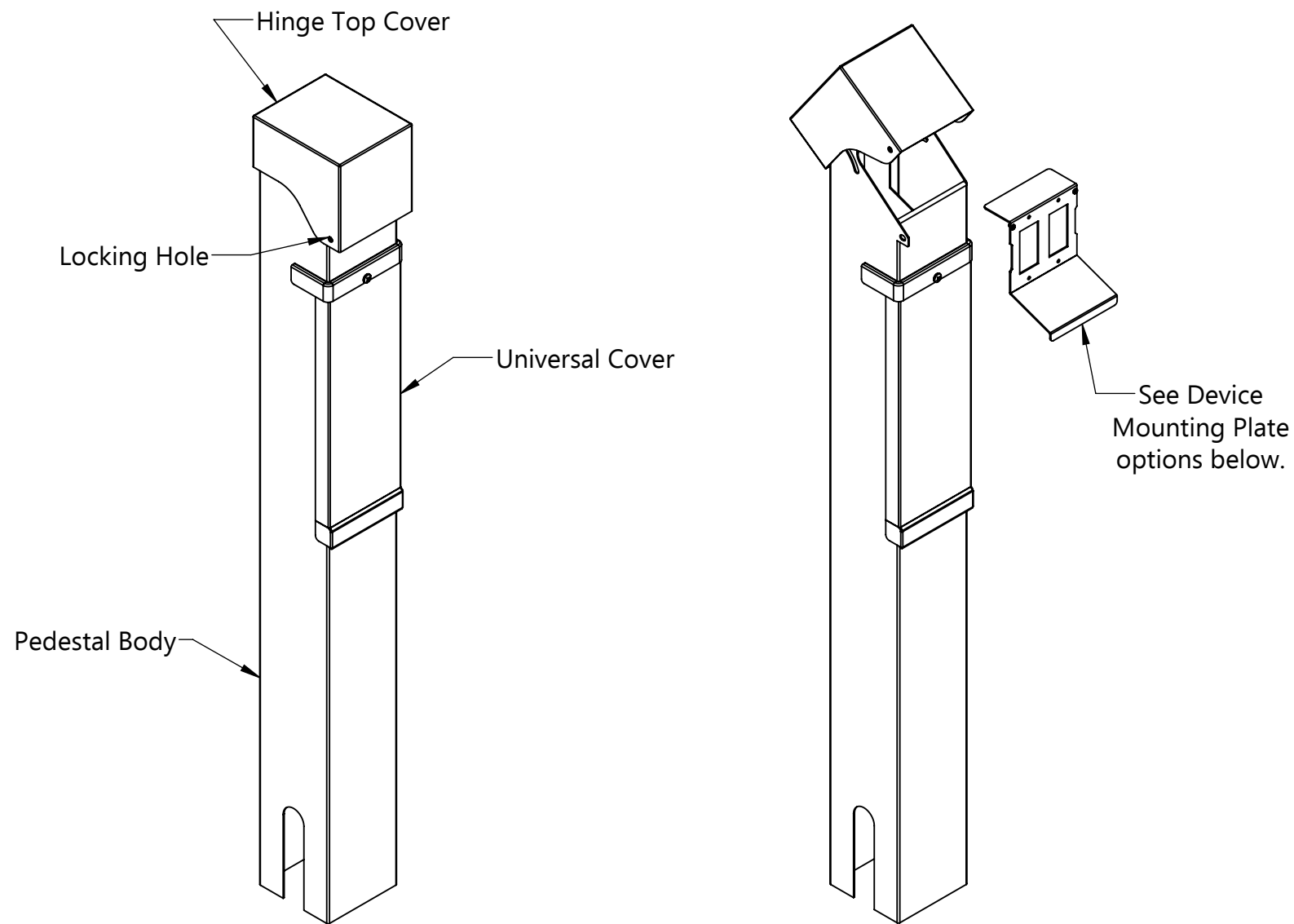


**Model Type:** Divided - 5x5 Hinge Top Without Base: Direct Bury  
**Description:** Divided 48" 5x5 Hinge Top Without Base: Direct Bury

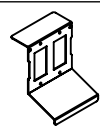
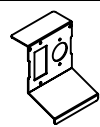


**Material**

14 Ga. 304 Stainless Steel: Pedestal Body, Top Cover, Universal Cover, Device Mounting Plate

**Packaging**

Boxed Dimensions: 11" x 11" x 52"  
 Boxed Weight: 32 Lbs.

Complete Part Numbers with Finish		Device Mtg. Plate Configurations	
Powder Coated ("C")	Brushed Finish ("SS")	Description	
548-C-D-HT-*-140	548-SS-D-HT-140	PED0140 (2-Gang)	
548-C-D-HT-*-144	548-SS-D-HT-144	PED0144 (30A 1-9/16" & 20A)	

\* Color Code: B = Black, G = Gray, GN = Green, BR = Brown, BRZ = Bronze, CSTM = Custom Color

