

PRODUCT CATALOG

Powering the Outdoors

As the demand for outdoor power increases, Pedoc's power pedestals provide an ideal solution for safely and conveniently bringing power to any outdoor location. The Pedoc product line, thoughtfully designed and developed by a team of electricians and metal fabrication experts, has become the go-to solution, for even the harshest environments.

At Pedoc, we take pride in manufacturing our products and providing top-notch customer support. Whether you need help identifying the best solution, technical information or a quote, our 100% US based sales and support team is here to promptly serve you.

Thousands of Pedocs can be found in environments ranging from campgrounds and public parks to apartment complexes and airports to provide standalone power when traditional outlets are unavailable or impractical.



Stock and Quick
Ship Options

cULus Listed: Standard 1773. Rated NEMA 3R. ADA compliant heights available.

Power Pedestal Features and Benefits

Solidly Constructed for Outdoor Use

- Available in powder coated finishes for added UV and scratch protection
- Welded construction from heavy gauge 304 stainless steel to withstand harsh environments
- Long-lasting strength and durability
- No spare parts needed – ever!

Quick and Easy Installation

- Place over stubbed up conduits
- Pull wiring through the pedestal
- Terminate and install receptacles
- Mount in place

Critical Considerations

- UL listed in USA and Canada
- NEMA 3R rated for use in outdoor locations
- Proudly Made in the USA
- ADA compliant heights available

Variety & Custom Options

- Hundreds of configurations and many finish options
- Standard and custom finishes available



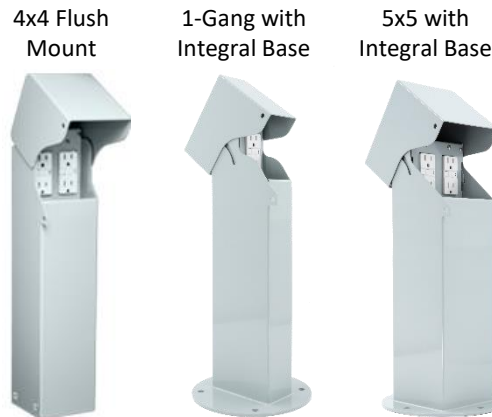
Standard Power Pedestals

Pre-drilled mounting holes for devices and covers



Hinge Top Power Pedestals

Durable stainless steel cover with locking tab to prevent unauthorized use and ingress of water and debris



5x5 Direct Bury

1-Gang Direct Bury



For Powering:

Commercial and everyday maintenance equipment • Diesel engine block heaters • Holiday lighting • Pool pump motors • Emergency shutoffs • Food trucks • Scoreboards and reporting booths • Laptops • Phones and other personal devices • Golf carts

Popular Settings:

Balconies • Airports • Pool Areas • Commercial Parking Lots • Pools and Spas • Amusement Parks • Festivals • Street Fairs • Amenity Decks • Campgrounds • Golf Courses • Marinas • Stadiums • College and corporate campuses

Flush Mount Hinge Top Power Pedestal

Unobtrusive design for areas with limited space



cULus Listed: Standard 1773. Rated NEMA 3R. ADA compliant heights available.

4x4 Flush Style, Hinged Cover, 1- and 2-Gang, Surface Mount, 20 Amp Max

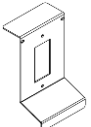
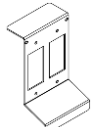
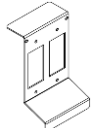


Devices and accessories not supplied

Free standing power pedestal perfect for areas with limited space. Aesthetically pleasing solution to safely and conveniently bring power to any outdoor location.

- Internal bracketing allows for flush mount applications
- Self-closing cover prevents ingress of water from outdoor elements
- Solid construction saves on costly repair and replacement maintenance
- Locking tab to protect against unwanted use
- Heavy stainless steel welded construction for maximum protection
- May be ordered with an internal dividing channel to separate high and low voltage

Part Numbers

Device Mtg. Plate	Finish	12" Height	18" Height	24" Height	30" Height
1-Gang 	Black	4FMIM12-C-HT-B-1	4FMIM18-C-HT-B-1	4FMIM24-C-HT-B-1	4FMIM30-C-HT-B-1
	Gray	4FMIM12-C-HT-G-1	4FMIM18-C-HT-G-1	4FMIM24-C-HT-G-1	4FMIM30-C-HT-G-1
	Bronze	4FMIM12-C-HT-BRZ-1	4FMIM18-C-HT-BRZ-1	4FMIM24-C-HT-BRZ-1	4FMIM30-C-HT-BRZ-1
	Green	4FMIM12-C-HT-GN-1	4FMIM18-C-HT-GN-1	4FMIM24-C-HT-GN-1	4FMIM30-C-HT-GN-1
	Brown	4FMIM12-C-HT-BR-1	4FMIM18-C-HT-BR-1	4FMIM24-C-HT-BR-1	4FMIM30-C-HT-BR-1
	Custom	4FMIM12-C-HT-CSTM-1	4FMIM18-C-HT-CSTM-1	4FMIM24-C-HT-CSTM-1	4FMIM30-C-HT-CSTM-1
	Brushed S.S.	4FMIM12-SS-HT-1	4FMIM18-SS-HT-1	4FMIM24-SS-HT-1	4FMIM30-SS-HT-1
	2-Gang 	Black	4FMIM12-C-HT-B-2	4FMIM18-C-HT-B-2	4FMIM24-C-HT-B-2
Gray		4FMIM12-C-HT-G-2	4FMIM18-C-HT-G-2	4FMIM24-C-HT-G-2	4FMIM30-C-HT-G-2
Bronze		4FMIM12-C-HT-BRZ-2	4FMIM18-C-HT-BRZ-2	4FMIM24-C-HT-BRZ-2	4FMIM30-C-HT-BRZ-2
Green		4FMIM12-C-HT-GN-2	4FMIM18-C-HT-GN-2	4FMIM24-C-HT-GN-2	4FMIM30-C-HT-GN-2
Brown		4FMIM12-C-HT-BR-2	4FMIM18-C-HT-BR-2	4FMIM24-C-HT-BR-2	4FMIM30-C-HT-BR-2
Custom		4FMIM12-C-HT-CSTM-2	4FMIM18-C-HT-CSTM-2	4FMIM24-C-HT-CSTM-2	4FMIM30-C-HT-CSTM-2
Brushed S.S.		4FMIM12-SS-HT-2	4FMIM18-SS-HT-2	4FMIM24-SS-HT-2	4FMIM30-SS-HT-2
2-Gang Divided 		Black	4FMIM12-C-D-HT-B-2	4FMIM18-C-D-HT-B-2	4FMIM24-C-D-HT-B-2
	Gray	4FMIM12-C-D-HT-G-2	4FMIM18-C-D-HT-G-2	4FMIM24-C-D-HT-G-2	4FMIM30-C-D-HT-G-2
	Bronze	4FMIM12-C-D-HT-BRZ-2	4FMIM18-C-D-HT-BRZ-2	4FMIM24-C-D-HT-BRZ-2	4FMIM30-C-D-HT-BRZ-2
	Green	4FMIM12-C-D-HT-GN-2	4FMIM18-C-D-HT-GN-2	4FMIM24-C-D-HT-GN-2	4FMIM30-C-D-HT-GN-2
	Brown	4FMIM12-C-D-HT-BR-2	4FMIM18-C-D-HT-BR-2	4FMIM24-C-D-HT-BR-2	4FMIM30-C-D-HT-BR-2
	Custom	4FMIM12-C-D-HT-CSTM-2	4FMIM18-C-D-HT-CSTM-2	4FMIM24-C-D-HT-CSTM-2	4FMIM30-C-D-HT-CSTM-2
	Brushed S.S.	4FMIM12-SS-D-HT-2	4FMIM18-SS-D-HT-2	4FMIM24-SS-D-HT-2	4FMIM30-SS-D-HT-2

Finishes: **Black (B)** **Gray (G)** **Bronze (BRZ)** **Green (GN)** **Brown (BR)** **Custom (CSTM)** **Brushed S.S. (SS)**

Specifications

Amperage	20 Amp max. rating
Material	304 Stainless Steel: 14-gauge body; optional upgrade to 316
Construction	Welded pedestal body, base, and weatherproof cover (lockable)
Finishes	Outdoor rated paint: black, gray, bronze, green, brown, custom; brushed stainless
Heights	12", 18", 24", 30"
Dimensions	4" wide by 4" deep pedestal with 4-1/4" wide by 5" deep cover
Devices	Not supplied; can accommodate 15 – 20 Amp weather-resistant devices
Device Mount	Removable GFCI device mounting plate insert included
Cover	Auto-closing cover provides protection to meet while-in-use requirements
Hardware	Pre-installed SS grounding hardware; anchoring hardware included
Application	May be ordered with a divider for high and low voltage
Installation	Open base to accommodate two 1-1/2" conduit raceways
Additional	12" height for non-3-R installations only



Hinge Top with Integral Base: Surface Mount

Sleek design for everyday powering



cULus Listed: Standard 1773. Rated NEMA 3R. ADA compliant heights available.

1-Gang, Hinged Cover, Surface Mount, 20 Amp Max



Seamless Stainless Steel
Welded Construction

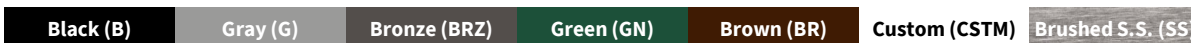
Long lasting, sleek and sturdy power pedestal solution to provide power to any outdoor location. Available in several heights and finishes to blend into any landscape. Perfect for holiday lighting, personal devices, golf cart charging and more.

- Quick and easy installation
- Self-closing cover prevents ingress of water and other outdoor elements
- Solid construction saves on costly repair and replacement maintenance
- Spacing between cover and pedestal to allow wiring to freely pass
- Locking mechanism prevents unwanted use
- Heavy stainless steel welded construction for maximum protection
- Accommodates two 1-1/2" conduit raceways
- Pre-installed grounding hardware and concrete anchors included

Part Numbers

Device Mtg. Plate	Finish	18" Height	24" Height	30" Height	36" Height	42" Height	48" Height
	Black	1P18-C-HT-B	1P24-C-HT-B	1P30-C-HT-B	1P36-C-HT-B	1P42-C-HT-B	1P48-C-HT-B
	Gray	1P18-C-HT-G	1P24-C-HT-G	1P30-C-HT-G	1P36-C-HT-G	1P42-C-HT-G	1P48-C-HT-G
	Bronze	1P18-C-HT-BRZ	1P24-C-HT-BRZ	1P30-C-HT-BRZ	1P36-C-HT-BRZ	1P42-C-HT-BRZ	1P48-C-HT-BRZ
	Green	1P18-C-HT-GN	1P24-C-HT-GN	1P30-C-HT-GN	1P36-C-HT-GN	1P42-C-HT-GN	1P48-C-HT-GN
	Brown	1P18-C-HT-BR	1P24-C-HT-BR	1P30-C-HT-BR	1P36-C-HT-BR	1P42-C-HT-BR	1P48-C-HT-BR
	Custom	1P18-C-HT-CSTM	1P24-C-HT-CSTM	1P30-C-HT-CSTM	1P36-C-HT-CSTM	1P42-C-HT-CSTM	1P48-C-HT-CSTM
	Brushed S.S.	1P18-SS-HT	1P24-SS-HT	1P30-SS-HT	1P36-SS-HT	1P42-SS-HT	1P48-SS-HT

Finishes:



Specifications

Amperage	20 Amp max. rating
Material	304 Stainless Steel: 14-gauge body, 7-gauge base; optional upgrade to 316
Construction	Welded pedestal body, base and weatherproof cover (lockable)
Finishes	Outdoor rated powder coat paint (standard and custom), brushed stainless
Heights	18", 24", 30", 36", 42", 48"
Dimensions	2-1/2" wide by 4" deep pedestal; 2-3/4" wide by 6" deep cover; 8" diameter base
Devices	Not supplied; can accept 15 – 20 Amp weather-resistant devices
Device Mount	Removable GFCI device mounting plate insert included
Cover	Auto-closing cover provides protection to meet while-in-use requirements
Hardware	Pre-installed SS grounding hardware; anchoring hardware included
Customization	Custom powder coat options
Installation	Open base to accommodate two 1-1/2" conduit raceways

Ideal for a variety of applications including campgrounds, public parks, airports, campuses, commercial buildings, and more



Hinge Top without Base: Direct Bury

Below grade wiring protection



cULus Listed: Standard 1773. Rated NEMA 3R. ADA compliant heights available.

1-Gang, Hinged Cover, Direct Bury, 20 Amp Max

Amperage	20 Amp max. rating
Material	304 Stainless Steel: 14-gauge body, cover and access panel; optional upgrade to 316
Construction	Welded body and weatherproof cover (lockable)
Finishes	Outdoor rated powder coat paint (standard and custom), brushed stainless
Heights	42", 48", 54" (24" must be buried below grade)
Dimensions	2-1/2" wide by 4" deep pedestal with 2-3/4" wide by 6" deep cover
Devices	Not supplied; can accommodate 15 – 20 Amp weather-resistant devices
Device Mount	Removable GFCI device mounting plate insert included
Cover	Auto-closing cover provides protection to meet while-in-use requirements
Hardware	Pre-installed stainless steel grounding hardware included
Customization	Custom powder coat options
Installation	Open bottom, removeable wire access panel and wire entry slots

Stainless steel tamperproof cover to prevent unwanted use



Devices and accessories not supplied

Part Numbers

Device Mtg. Plate	Finish	42" Height	48" Height	54" Height
	Black	142-C-HT-B	148-C-HT-B	154-C-HT-B
	Gray	142-C-HT-G	148-C-HT-G	154-C-HT-G
	Bronze	142-C-HT-BRZ	148-C-HT-BRZ	154-C-HT-BRZ
	Green	142-C-HT-GN	148-C-HT-GN	154-C-HT-GN
	Brown	142-C-HT-BR	148-C-HT-BR	154-C-HT-BR
	Custom	142-C-HT-CSTM	148-C-HT-CSTM	154-C-HT-CSTM
	Brushed S.S.	142-SS-HT	148-SS-HT	154-SS-HT

Finishes:

Black (B)	Gray (G)	Bronze (BRZ)	Green (GN)	Brown (BR)	Custom (CSTM)	Brushed S.S. (SS)
------------------	-----------------	---------------------	-------------------	-------------------	----------------------	--------------------------

Pedestal Features

- Self-closing cover prevents ingress of water and other outside elements
- Access panel and side wire slots for easy installation
- Solid construction saves on costly repair and replacement maintenance
- Locking tab to prevent unwanted use
- Heavy stainless steel welded construction for maximum protection
- Spacing between cover and pedestal to allow wiring to pass through while-in-use

Perfectly Blends into Landscapes and Foliage



Standard with Integral Base: Surface Mount

Higher amperage with multiple device mounting configurations



cULus Listed: Standard 1773. Rated NEMA 3R. ADA compliant heights available.

1-, 2-Gang Standard, Surface Mount, 60 Amp Max



7-Gauge Welded Stainless Steel Base; Concrete Anchors Included

Amperage	60 Amp max. rating
Material	304 Stainless Steel: 14-gauge body, 7-gauge base; optional upgrade to 316
Construction	Welded pedestal body and integral base
Finishes	Outdoor rated powder coat paint (standard and custom), brushed stainless
Heights	6", 12", 18", 24", 30", 36", 42", 48"
Dimensions	5" wide by 2-1/2" deep; 8" diameter base
Devices	Not supplied; can accommodate 15 – 60 Amp weather-resistant devices
Covers	Mounting holes for weatherproof covers provided; covers not supplied
Hardware	Pre-installed SS grounding hardware; concrete anchoring hardware included
Application	May be ordered with a divider for high and low voltage (data) devices
Customization	Option for custom colors
Installation	Open base to accommodate two 1-1/2" conduit raceways
Additional	6" and 12" heights suitable for non-3R installations only

Pedestal Features

- Mounting holes to align with receptacles and weatherproof covers
- Seamless welded stainless steel construction for maximum protection
- Multiple device opening configuration
- May be ordered with an internal dividing channel to separate high and low voltage
- Quick and easy installation

Part Numbers

Device Opening	Finish	6" Height	12" Height	18" Height	24" Height	30" Height	36" Height	42" Height	48" Height
1-Gang Horiz. (HZ) 	Black	1P6-C-HZ-B	1P12-C-HZ-B	1P18-C-HZ-B	1P24-C-HZ-B	1P30-C-HZ-B	1P36-C-HZ-B	1P42-C-HZ-B	1P48-C-HZ-B
	Gray	1P6-C-HZ-G	1P12-C-HZ-G	1P18-C-HZ-G	1P24-C-HZ-G	1P30-C-HZ-G	1P36-C-HZ-G	1P42-C-HZ-G	1P48-C-HZ-G
	Bronze	1P6-C-HZ-BRZ	1P12-C-HZ-BRZ	1P18-C-HZ-BRZ	1P24-C-HZ-BRZ	1P30-C-HZ-BRZ	1P36-C-HZ-BRZ	1P42-C-HZ-BRZ	1P48-C-HZ-BRZ
	Green	1P6-C-HZ-GN	1P12-C-HZ-GN	1P18-C-HZ-GN	1P24-C-HZ-GN	1P30-C-HZ-GN	1P36-C-HZ-GN	1P42-C-HZ-GN	1P48-C-HZ-GN
	Brown	1P6-C-HZ-BR	1P12-C-HZ-BR	1P18-C-HZ-BR	1P24-C-HZ-BR	1P30-C-HZ-BR	1P36-C-HZ-BR	1P42-C-HZ-BR	1P48-C-HZ-BR
	Custom	1P6-C-HZ-CSTM	1P12-C-HZ-CSTM	1P18-C-HZ-CSTM	1P24-C-HZ-CSTM	1P30-C-HZ-CSTM	1P36-C-HZ-CSTM	1P42-C-HZ-CSTM	1P48-C-HZ-CSTM
	Brushed S.S.	1P6-SS-HZ	1P12-SS-HZ	1P18-SS-HZ	1P24-SS-HZ	1P30-SS-HZ	1P36-SS-HZ	1P42-SS-HZ	1P48-SS-HZ
1-Gang Vert. (V) 	Black	1P6-C-V-B	1P12-C-V-B	1P18-C-V-B	1P24-C-V-B	1P30-C-V-B	1P36-C-V-B	1P42-C-V-B	1P48-C-V-B
	Gray	1P6-C-V-G	1P12-C-V-G	1P18-C-V-G	1P24-C-V-G	1P30-C-V-G	1P36-C-V-G	1P42-C-V-G	1P48-C-V-G
	Bronze	1P6-C-V-BRZ	1P12-C-V-BRZ	1P18-C-V-BRZ	1P24-C-V-BRZ	1P30-C-V-BRZ	1P36-C-V-BRZ	1P42-C-V-BRZ	1P48-C-V-BRZ
	Green	1P6-C-V-GN	1P12-C-V-GN	1P18-C-V-GN	1P24-C-V-GN	1P30-C-V-GN	1P36-C-V-GN	1P42-C-V-GN	1P48-C-V-GN
	Brown	1P6-C-V-BR	1P12-C-V-BR	1P18-C-V-BR	1P24-C-V-BR	1P30-C-V-BR	1P36-C-V-BR	1P42-C-V-BR	1P48-C-V-BR
	Custom	1P6-C-V-CSTM	1P12-C-V-CSTM	1P18-C-V-CSTM	1P24-C-V-CSTM	1P30-C-V-CSTM	1P36-C-V-CSTM	1P42-C-V-CSTM	1P48-C-V-CSTM
	Brushed S.S.	1P6-SS-V	1P12-SS-V	1P18-SS-V	1P24-SS-V	1P30-SS-V	1P36-SS-V	1P42-SS-V	1P48-SS-V
2-Gang 	Black	2P6-C-B	2P12-C-B	2P18-C-B	2P24-C-B	2P30-C-B	2P36-C-B	2P42-C-B	2P48-C-B
	Gray	2P6-C-G	2P12-C-G	2P18-C-G	2P24-C-G	2P30-C-G	2P36-C-G	2P42-C-G	2P48-C-G
	Bronze	2P6-C-BRZ	2P12-C-BRZ	2P18-C-BRZ	2P24-C-BRZ	2P30-C-BRZ	2P36-C-BRZ	2P42-C-BRZ	2P48-C-BRZ
	Green	2P6-C-GN	2P12-C-GN	2P18-C-GN	2P24-C-GN	2P30-C-GN	2P36-C-GN	2P42-C-GN	2P48-C-GN
	Brown	2P6-C-BR	2P12-C-BR	2P18-C-BR	2P24-C-BR	2P30-C-BR	2P36-C-BR	2P42-C-BR	2P48-C-BR
	Custom	2P6-C-CSTM	2P12-C-CSTM	2P18-C-CSTM	2P24-C-CSTM	2P30-C-CSTM	2P36-C-CSTM	2P42-C-CSTM	2P48-C-CSTM
	Brushed S.S.	2P6-SS	2P12-SS	2P18-SS	2P24-SS	2P30-SS	2P36-SS	2P42-SS	2P48-SS
2-Gang Div. (high/low volt) 	Black	2P6-C-D-B	2P12-C-D-B	2P18-C-D-B	2P24-C-D-B	2P30-C-D-B	2P36-C-D-B	2P42-C-D-B	2P48-C-D-B
	Gray	2P6-C-D-G	2P12-C-D-G	2P18-C-D-G	2P24-C-D-G	2P30-C-D-G	2P36-C-D-G	2P42-C-D-G	2P48-C-D-G
	Bronze	2P6-C-D-BRZ	2P12-C-D-BRZ	2P18-C-D-BRZ	2P24-C-D-BRZ	2P30-C-D-BRZ	2P36-C-D-BRZ	2P42-C-D-BRZ	2P48-C-D-BRZ
	Green	2P6-C-D-GN	2P12-C-D-GN	2P18-C-D-GN	2P24-C-D-GN	2P30-C-D-GN	2P36-C-D-GN	2P42-C-D-GN	2P48-C-D-GN
	Brown	2P6-C-D-BR	2P12-C-D-BR	2P18-C-D-BR	2P24-C-D-BR	2P30-C-D-BR	2P36-C-D-BR	2P42-C-D-BR	2P48-C-D-BR
	Custom	2P6-C-D-CSTM	2P12-C-D-CSTM	2P18-C-D-CSTM	2P24-C-D-CSTM	2P30-C-D-CSTM	2P36-C-D-CSTM	2P42-C-D-CSTM	2P48-C-D-CSTM
	Brushed S.S.	2P6-SS-D	2P12-SS-D	2P18-SS-D	2P24-SS-D	2P30-SS-D	2P36-SS-D	2P42-SS-D	2P48-SS-D

Finishes: **Black** **Gray** **Bronze** **Green** **Brown** **Custom** **Brushed S.S.**

Standard without Base: Direct Bury

Higher amperage with multiple device mounting configurations



cULus Listed: Standard 1773. Rated NEMA 3R. ADA compliant heights available.

1-, 2-Gang Standard, Surface Mount, 60 Amp Max



Amperage	60 Amp max. rating
Material	304 Stainless Steel: 14-gauge body, cover and access panel; optional upgrade to 316
Construction	Welded body with removeable wire access panel and wire entry slots
Finishes	Outdoor rated powder coat paint (standard and custom), brushed stainless
Heights	42", 48", 54" (24" must be buried below grade)
Dimensions	5" wide by 2-1/2" deep
Devices	Not supplied; can accommodate 15 – 60 Amp weather-resistant devices
Covers	Mounting holes for weatherproof covers provided; covers not supplied
Hardware	Pre-installed stainless steel grounding hardware included
Application	May be ordered with a divider for high and low voltage (data)
Customization	Option for custom colors
Installation	Open bottom, removeable wire access panel and wire entry slots

Part Numbers

Device Opening	Finish	42" Height	48" Height	54" Height
1-Gang Horiz. (HZ) 	Black	142-C-HZ-B	148-C-HZ-B	154-C-HZ-B
	Gray	142-C-HZ-G	148-C-HZ-G	154-C-HZ-G
	Bronze	142-C-HZ-BRZ	148-C-HZ-BRZ	154-C-HZ-BRZ
	Green	142-C-HZ-GN	148-C-HZ-GN	154-C-HZ-GN
	Brown	142-C-HZ-BR	148-C-HZ-BR	154-C-HZ-BR
	Custom	142-C-HZ-CSTM	148-C-HZ-CSTM	154-C-HZ-CSTM
	Brushed S.S.	142-SS-HZ	148-SS-HZ	154-SS-HZ
	1-Gang Vert. (V) 	Black	142-C-V-B	148-C-V-B
Gray		142-C-V-GN	148-C-V-G	154-C-V-G
Bronze		142-C-V-BRZ	148-C-V-BRZ	154-C-V-BRZ
Green		142-C-V-GN	148-C-V-GN	154-C-V-GN
Brown		142-C-V-BR	148-C-V-BR	154-C-V-BR
Custom		142-C-V-CSTM	148-C-V-CSTM	154-C-V-CSTM
Brushed S.S.		142-SS-V	148-SS-V	154-SS-V
2-Gang 	Black	242-C-B	248-C-B	254-C-B
	Gray	242-C-G	248-C-G	254-C-G
	Bronze	242-C-BRZ	248-C-BRZ	254-C-BRZ
	Green	242-C-GN	248-C-GN	254-C-GN
	Brown	242-C-BR	248-C-BR	254-C-BR
	Custom	242-C-CSTM	248-C-CSTM	254-C-CSTM
	Brushed S.S.	242-SS	248-SS	254-SS
2-Gang Div. (high/low volt) 	Black	242-C-D-B	248-C-D-B	254-C-D-B
	Gray	242-C-D-G	248-C-D-G	254-C-D-G
	Bronze	242-C-D-BRZ	248-C-D-BRZ	254-C-D-BRZ
	Green	242-C-D-GN	248-C-D-GN	254-C-D-GN
	Brown	242-C-D-BR	248-C-D-BR	254-C-D-BR
	Custom	242-C-D-CSTM	248-C-D-CSTM	254-C-D-CSTM
	Brushed S.S.	242-SS-D	248-SS-D	254-SS-D

Pedestal Features

- Mounting holes to align with standard receptacles and weatherproof covers
- Removeable access panel for easy installation
- Sides slots for wire entry
- Completely welded stainless construction

Popular Locations

Ideal for a variety of application areas including campgrounds, public parks, airports, campuses, commercial buildings, and more.



Finishes:

Black (B)	Gray (G)	Bronze (BRZ)	Green (GN)	Brown (BR)	Custom (CSTM)	Brushed S.S. (SS)
-----------	----------	--------------	------------	------------	---------------	-------------------

5x5 Hinge Top with Integral Base: Surface Mount

Wider body for dual charging



cULus Listed: Standard 1773. Rated NEMA 3R. ADA compliant heights available.

5x5, Hinged Cover, Surface Mount, 60 Amp Max



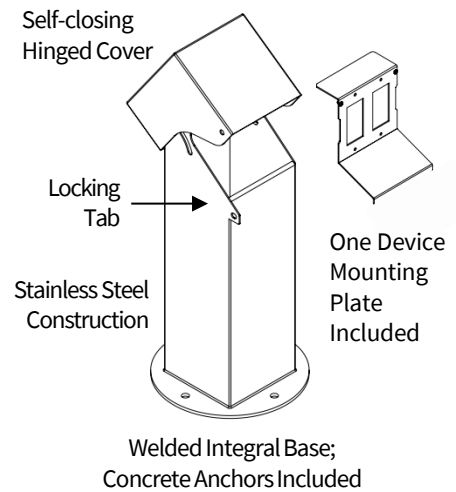
Seamless welded stainless steel construction

With a built-in tamper-proof cover and welded integral base, this durable wide body power pedestal safely protects outdoor conduit, wiring and devices. Well-suited for powering food trucks, scoreboards, engine block heaters, personal devices, maintenance equipment and more.

- Self-closing cover prevents ingress of water and other outside elements
- Solid construction saves on costly repair and replacement maintenance
- Locking tab to prevent unwanted use
- Heavy stainless steel welded construction for maximum protection
- Spacing between cover and pedestal to allow wiring to pass through while-in-use
- May be ordered with an internal dividing channel to separate high and low voltage
- Pre-installed grounding hardware and concrete anchors included

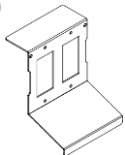
Specifications

Amperage	60 Amp max. rating
Material	304 Stainless Steel: 14-gauge body, 7-gauge base; optional upgrade to 316
Construction	Welded pedestal body, base and weatherproof cover (lockable)
Finishes	Outdoor rated powder coat paint (standard and custom), brushed stainless
Heights	18", 24", 30", 36", 42", 48"
Dimensions	5" wide by 5" deep pedestal; 5-1/4" wide by 6-1/4" deep cover, 8-1/2" diameter base
Devices	Not supplied; can accommodate 15 – 60 Amp weather-resistant devices
Device Mount	Removable receptacle mounting plate included
Cover	Auto-closing cover provides protection to meet while-in-use requirements
Hardware	Pre-installed SS grounding hardware; concrete anchoring hardware included
Application	May be ordered with a divider for high and low voltage
Customization	Custom powder coat option

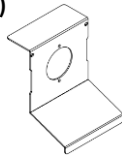


Device Mounting Configurations

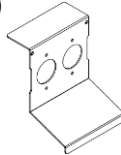
15/20A GFCI (140)



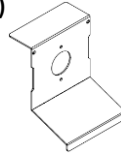
30/50A (148)



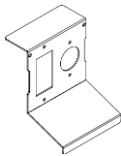
Dual 30A (138)



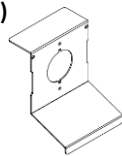
30/50A (142)



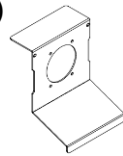
15/20A GFCI & 30A (144)



30/50A Turn Lock (176)



50/60A Straight Blade (154)



Notes:

All device mounting plates are not recommended for 90 degree or angled plugs.

See last page for dimensional details.

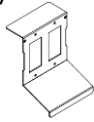
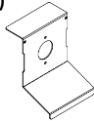
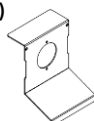
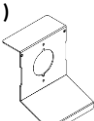
See next page for part numbers →→

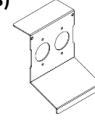
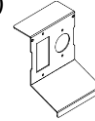
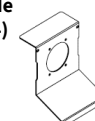
5x5 Hinge Top with Integral Base: Surface Mount

Wider body for dual charging
(continued)



Part Numbering for Power Only Applications

Device Plate	Height	Powder Coated SS	Brushed SS
15/20A GFCI (140) 	18"	5P18-C-HT-*140	5P18-SS-HT-140
	24"	5P24-C-HT-*140	5P24-SS-HT-140
	30"	5P30-C-HT-*140	5P30-SS-HT-140
	36"	5P36-C-HT-*140	5P36-SS-HT-140
	42"	5P42-C-HT-*140	5P42-SS-HT-140
	48"	5P48-C-HT-*140	5P48-SS-HT-140
30A (142) 	18"	5P18-C-HT-*142	5P18-SS-HT-142
	24"	5P24-C-HT-*142	5P24-SS-HT-142
	30"	5P30-C-HT-*142	5P30-SS-HT-142
	36"	5P36-C-HT-*142	5P36-SS-HT-142
	42"	5P42-C-HT-*142	5P42-SS-HT-142
	48"	5P48-C-HT-*142	5P48-SS-HT-142
30/50A (148) 	18"	5P18-C-HT-*148	5P18-SS-HT-148
	24"	5P24-C-HT-*148	5P24-SS-HT-148
	30"	5P30-C-HT-*148	5P30-SS-HT-148
	36"	5P36-C-HT-*148	5P36-SS-HT-148
	42"	5P42-C-HT-*148	5P42-SS-HT-148
	48"	5P48-C-HT-*148	5P48-SS-HT-148
30/50A Turn Lock (176) 	18"	5P18-C-HT-*176	5P18-SS-HT-176
	24"	5P24-C-HT-*176	5P24-SS-HT-176
	30"	5P30-C-HT-*176	5P30-SS-HT-176
	36"	5P36-C-HT-*176	5P36-SS-HT-176
	42"	5P42-C-HT-*176	5P42-SS-HT-176
	48"	5P48-C-HT-*176	5P48-SS-HT-176

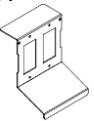
Device Plate	Height	Powder Coated SS	Brushed SS
Dual 30A (138) 	18"	5P18-C-HT-*138	5P18-SS-HT-138
	24"	5P24-C-HT-*138	5P24-SS-HT-138
	30"	5P30-C-HT-*138	5P30-SS-HT-138
	36"	5P36-C-HT-*138	5P36-SS-HT-138
	42"	5P42-C-HT-*138	5P42-SS-HT-138
	48"	5P48-C-HT-*138	5P48-SS-HT-138
15/20A GFCI & 30A (144) 	18"	5P18-C-HT-*144	5P18-SS-HT-144
	24"	5P24-C-HT-*144	5P24-SS-HT-144
	30"	5P30-C-HT-*144	5P30-SS-HT-144
	36"	5P36-C-HT-*144	5P36-SS-HT-144
	42"	5P42-C-HT-*144	5P42-SS-HT-144
	48"	5P48-C-HT-*144	5P48-SS-HT-144
50/60A: Straight Blade (154) 	18"	5P18-C-HT-*154	5P18-SS-HT-154
	24"	5P24-C-HT-*154	5P24-SS-HT-154
	30"	5P30-C-HT-*154	5P30-SS-HT-154
	36"	5P36-C-HT-*154	5P36-SS-HT-154
	42"	5P42-C-HT-*154	5P42-SS-HT-154
	48"	5P48-C-HT-*154	5P48-SS-HT-154

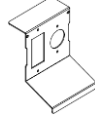
Notes:

All device mounting plates are not recommended for 90 degree or angled plugs.

See last page for dimensional details.

Part Numbering for High and Low Voltage Applications

Device Plate	Height	Powder Coated SS	Brushed SS
15/20A GFCI (140) 	18"	5P18-C-D-HT-*140	5P18-SS-D-HT-140
	24"	5P24-C-D-HT-*140	5P24-SS-D-HT-140
	30"	5P30-C-D-HT-*140	5P30-SS-D-HT-140
	36"	5P36-C-D-HT-*140	5P36-SS-D-HT-140
	42"	5P42-C-D-HT-*140	5P42-SS-D-HT-140
	48"	5P48-C-D-HT-*140	5P48-SS-D-HT-140

Device Plate	Height	Powder Coated SS	Brushed SS
15/20A GFCI & 30A (144) 	18"	5P18-C-D-HT-*144	5P18-SS-D-HT-144
	24"	5P24-C-D-HT-*144	5P24-SS-D-HT-144
	30"	5P30-C-D-HT-*144	5P30-SS-D-HT-144
	36"	5P36-C-D-HT-*144	5P36-SS-D-HT-144
	42"	5P42-C-D-HT-*144	5P42-SS-D-HT-144
	48"	5P48-C-D-HT-*144	5P48-SS-D-HT-144

Part Numbering Guide

Mtg Type	Hgt. in Inches	Finish Type	High/low Volt. divider	Cover	Color (coated only)	Device Mtg. Plate
5P (always)	18 24 30 36 42 48	-C (coated with paint) -SS (brushed)	-D (divided) (leave blank for power only)	-HT (always)	-B (black) -G (gray) -BRZ (bronze) -GN (green) -BR (brown) -CSTM (custom) leave blank for "SS" finish	-138 (Dual 30A) -140 (15/20A GFCI) -142 (30A) -144 (15/20A GFCI & 30A) -148 (30/50A) -154 (50/60A Straight Blade) -176 (30/50A Turn Lock)

Example:

5P18-C-HT-G-140: 5x5 pad mount, 18" high, powder coated, hinge top, gray, 15/20A GFCI device plate

5P (always)	18 18"	-C Coated	-HT Blank	-HT (always)	-G Gray	-140 15/20A GFCI
-------------	-----------	--------------	--------------	--------------	------------	---------------------

Finishes

* Insert powder coat finish code:

B = black, G = gray, BRZ = bronze, GN = green, BR = brown, CSTM = custom

Black (B)

Gray (G)

Bronze (BRZ)

Green (GN)

Brown (BR)

Custom (CSTM)

Brushed Finish (SS)

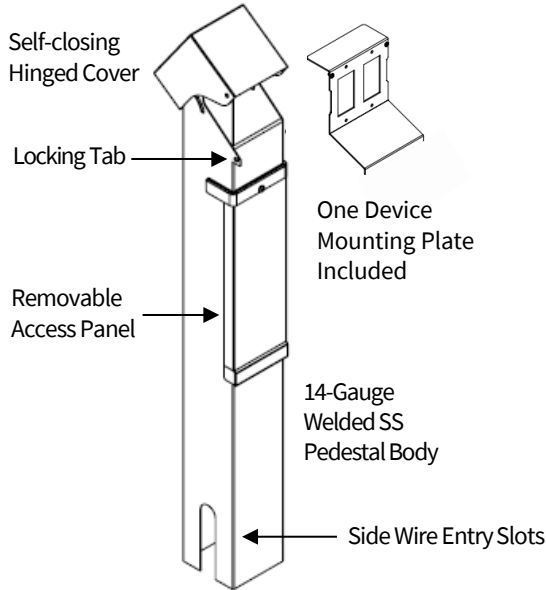
5x5 Hinge Top without Base: Direct Bury

Industrial strength durability and in-ground installation



cULus Listed: Standard 1773. Rated NEMA 3R. ADA compliant heights available.

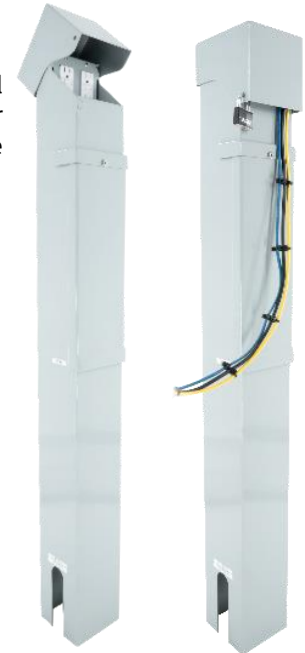
5x5 , Hinged Cover, Surface Mount, 60 Amp Max



In-ground pedestal for both low amperage and industrial applications. Safely protects outdoor conduit, wiring and devices from shifting ground conditions and other harsh conditions.

- Offered in several 15 – 60 Amp configurations
- Locking hole to prohibit unwanted use
- Completely welded stainless construction
- Self-closing cover prevents ingress of water from outdoor elements
- Spacing between cover and pedestal to allow wiring to pass while-in-use
- May be ordered with an internal dividing channel to separate high and low voltage

Stainless steel tamperproof cover prevents unwanted use



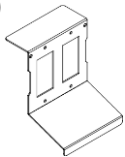
Devices and accessories not supplied

Specifications

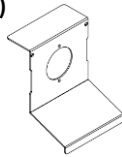
Amperage	60 Amp max. rating
Material	304 Stainless Steel: 14-gauge body, cover and access panel; optional upgrade to 316
Construction	Welded body and weatherproof cover (lockable)
Finishes	Outdoor rated powder coat paint (standard and custom), brushed stainless
Heights	42", 48", 54" (24" must be buried below grade)
Dimensions	5" wide by 5" deep pedestal with 5-1/4" wide by 6-1/4" deep cover
Devices	Not supplied; can accommodate 15 – 60 Amp weather-resistant devices
Device Mount	Removable GFCI device mounting plate insert included
Cover	Auto-closing cover provides protection to meet while-in-use requirements for 15 and 20A devices; for aesthetics only when used with 30 – 60A devices
Hardware	Pre-installed stainless steel grounding hardware included
Application	May be ordered with a divider for high and low voltage (data)
Customization	Custom powder coat options
Installation	Open bottom, removeable wire access panel and wire entry slots

Several Device Mounting Configurations (see next page for part numbers)

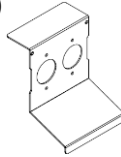
15/20A GFCI (140)



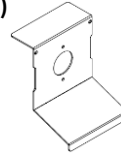
30/50A (148)



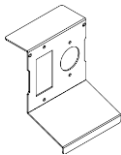
Dual 30A (138)



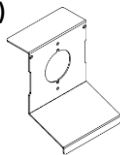
30/50A (142)



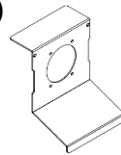
15/20A GFCI & 30A (144)



30/50A Turn Lock (176)



50/60A Straight Blade (154)



Notes:

All device mounting plates are not recommended for 90 degree or angled plugs.

See last page for dimensional details.

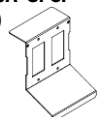
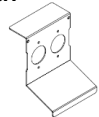
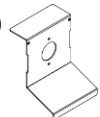
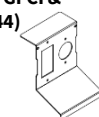
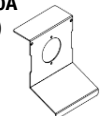
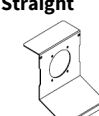
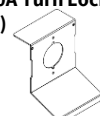
See next page for part numbers →→

5x5 Hinge Top without Base: Direct Bury

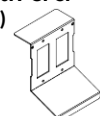
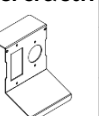
Industrial strength durability and in-ground installation
(continued)



Part Numbering for Power Only Applications

Device Plate	Overall Length	Powder Coat SS ("C")	Brushed SS ("SS")	Device Plate	Overall Length	Powder Coat SS ("C")	Brushed SS ("SS")
15/20A GFCI (140) 	42"	542-C-HT-* -140	542-SS-HT-140	Dual 30A (138) 	42"	542-C-HT-* -138	542-SS-HT-138
	48"	548-C-HT-* -140	548-SS-HT-140		48"	548-C-HT-* -138	548-SS-HT-138
	54"	554-C-HT-* -140	554-SS-HT-140		54"	554-C-HT-* -138	554-SS-HT-138
30A (142) 	42"	542-C-HT-* -142	542-SS-HT-142	15/20A GFCI & 30A (144) 	42"	542-C-HT-* -144	542-SS-HT-144
	48"	548-C-HT-* -142	548-SS-HT-142		48"	548-C-HT-* -144	548-SS-HT-144
	54"	554-C-HT-* -142	554-SS-HT-142		54"	554-C-HT-* -144	554-SS-HT-144
30/50A (148) 	42"	542-C-HT-* -148	542-SS-HT-148	50/60A Straight Blade (154) 	42"	542-C-HT-* -154	542-SS-HT-154
	48"	548-C-HT-* -148	548-SS-HT-148		48"	548-C-HT-* -154	548-SS-HT-154
	54"	554-C-HT-* -148	554-SS-HT-148		54"	554-C-HT-* -154	554-SS-HT-154
30/50A Turn Lock (176) 	42"	542-C-HT-* -176	542-SS-HT-176	Notes: All device mounting plates are not recommended for 90 degree or angled plugs. See last page for dimensional details.			
	48"	548-C-HT-* -176	548-SS-HT-176				
	54"	554-C-HT-* -176	554-SS-HT-176				

Part Numbering for High and Low Voltage Applications

Device Plate	Overall Length	Powder Coat SS ("C")	Brushed SS ("SS")	Device Plate	Overall Length	Powder Coat SS ("C")	Brushed SS ("SS")
15/20A GFCI (140) 	42"	542-C-D-HT-* -140	542-SS-D-HT-140	15/20A GFCI & 30A (144) 	42"	542-C-D-HT-* -144	542-SS-D-HT-144
	48"	548-C-D-HT-* -140	548-SS-D-HT-140		48"	548-C-D-HT-* -144	548-SS-D-HT-144
	54"	554-C-D-HT-* -140	554-SS-D-HT-140		54"	554-C-D-HT-* -144	554-SS-D-HT-144

Part Numbering Guide

Mounting Type	Hgt. in Inches	Finish Type	High/low Volt. Divider	Cover	Color (coated only)	Device Mtg. Plate
5 (always)	42 48 54	-C (powder coated) -SS (brushed)	-D (divided) (leave blank for power only)	-HT (always)	-B (black) -G (gray) -BRZ (bronze) -GN (green) -BR (brown) -CSTM (custom) leave blank for "SS" finish	-138 (Dual 30A) -140 (15/20A GFCI) -142 (30A) -144 (15/20A GFCI & 30A) -148 (30/50A) -154 (50/60A Straight Blade) -176 (30/50A Turn Lock)

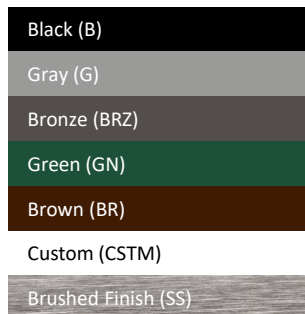
Example:
542-C-HT-B-140: 5x5, 42" overall length, powder coated, hinge top, black, 15/20A GFCI device plate

5 (always)	48 48" high	-C Coated	-D Blank	-HT (always)	-B Black	-140 15/20A GFCI
----------------------	-----------------------	---------------------	--------------------	------------------------	--------------------	----------------------------

Finishes

*** Insert powder coat finish code:**

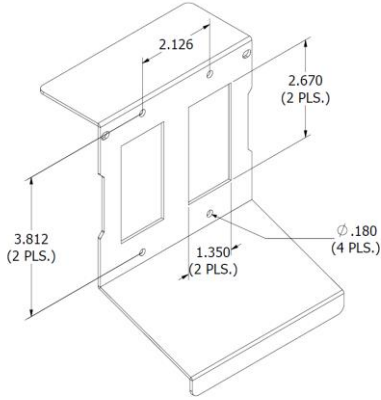
B = black, G = gray, BRZ = bronze, GN = green, BR = brown, CSTM = custom



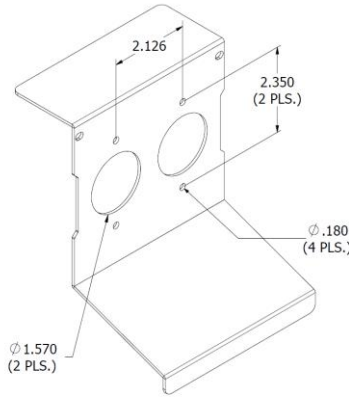
Device Mounting Plates for 5x5 Hinge Top Models

Dimensional Details

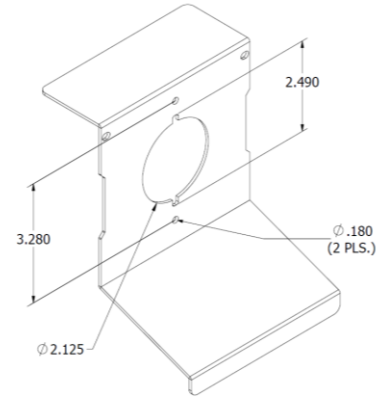
15/20A GFCI (140)



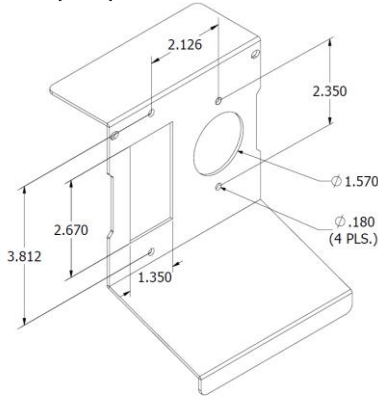
Dual 30A (138)



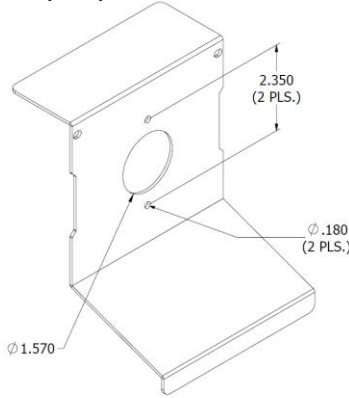
30/50A Turn Lock (176)



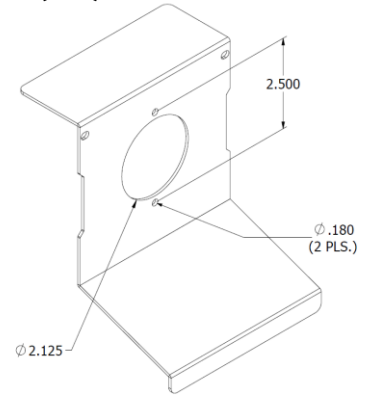
15/20A GFCI & 30A (144)



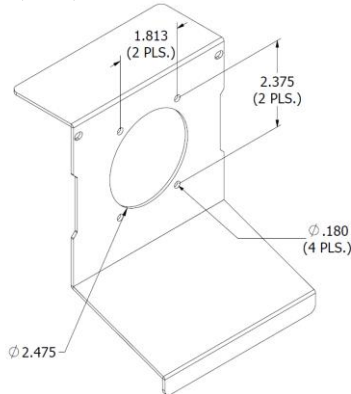
30A (142)



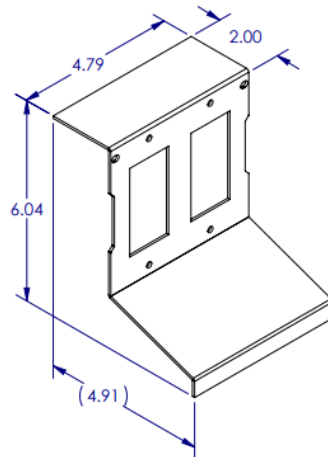
30/50A (148)



50/60A: Straight Blade (154)



Typical Dimensions



Notes:

Hole dimensions are center to center. All device mounting plates are not recommended for 90 degree or angled plugs.