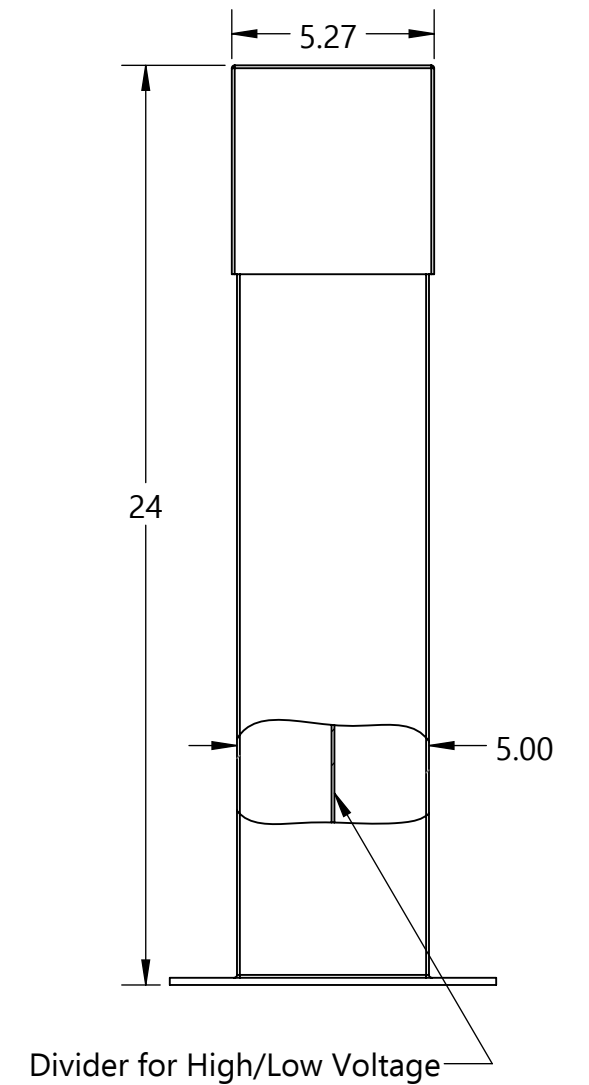
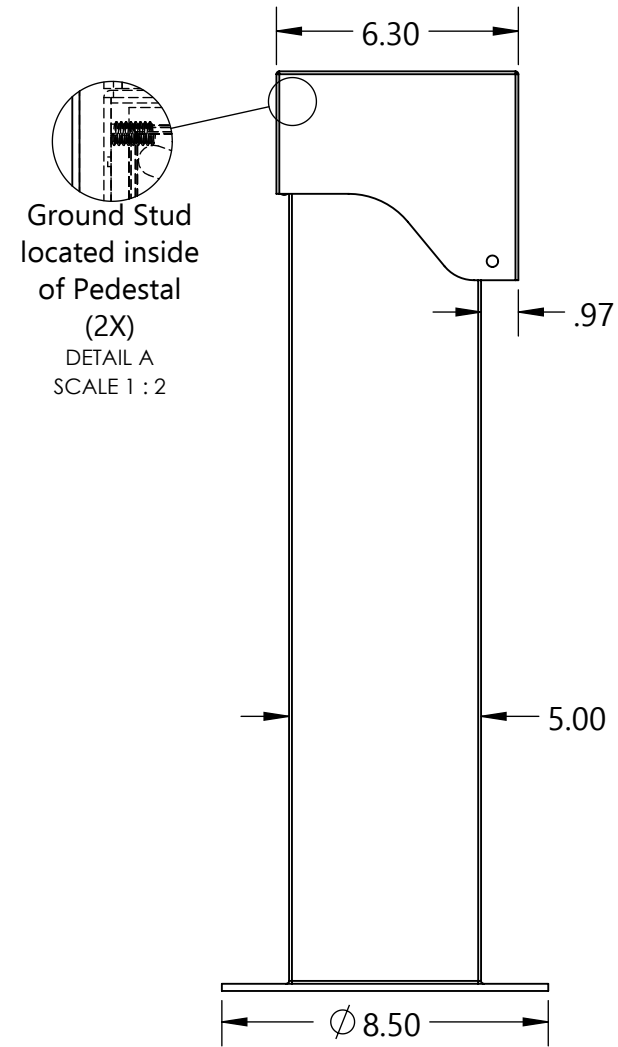
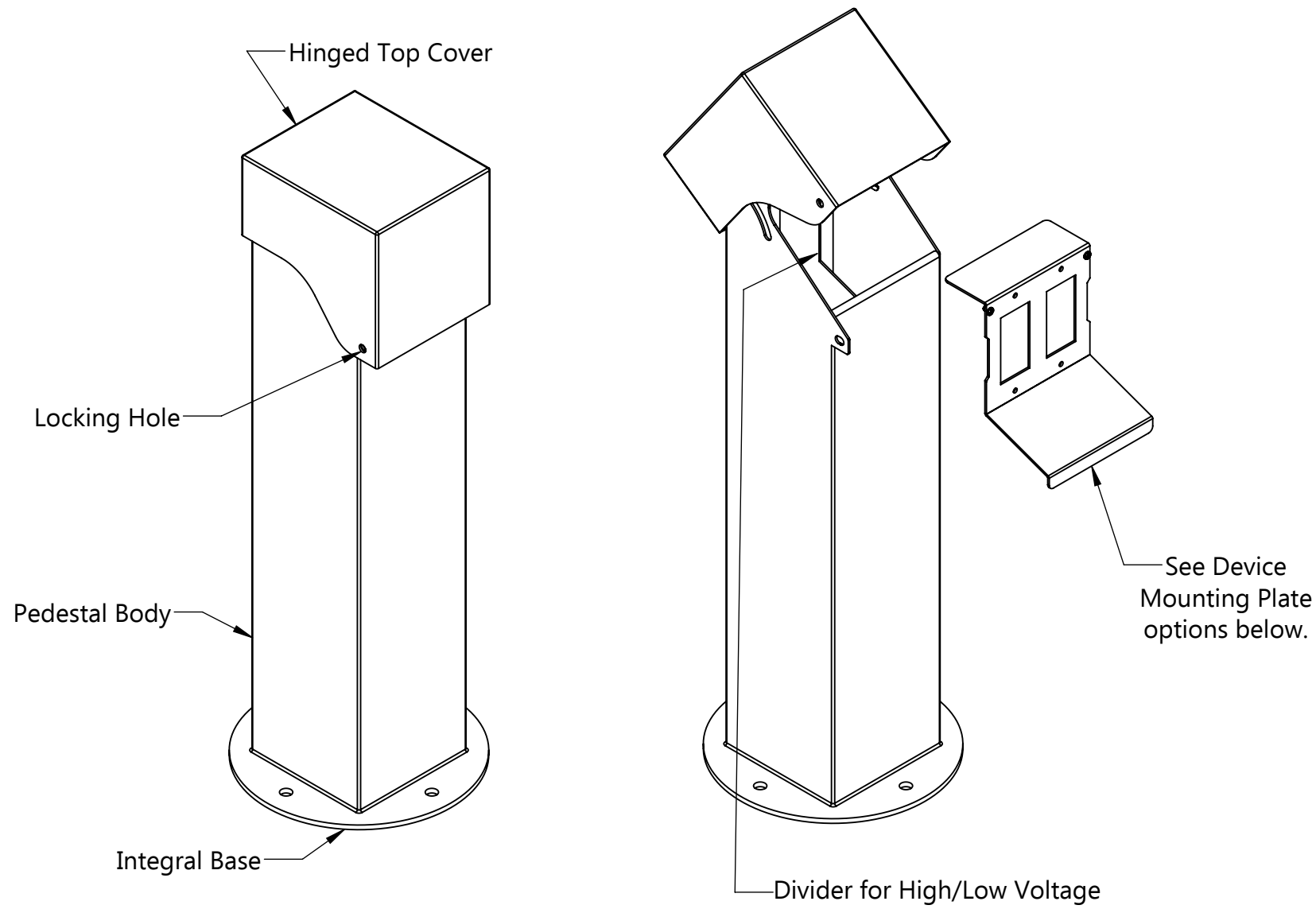


**Model Type:** Divided - 5x5 Hinge Top with Integral Base  
**Description:** 24" Divided 5x5 Hinge Top with Integral Base



**Material**

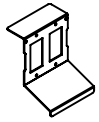
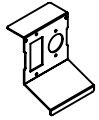
14 Ga. 304 Stainless Steel: Pedestal Body, Cover, Device Mounting Plate  
 7 Ga. 304 Stainless Steel: Integral Base

**Base Mounting Hardware (included)**

- (4) 1/4"-20 x 2-1/4" S.S. Wedge Anchors
- (4) 1/4"-20 S.S. High Crown Acorn Cap Nut
- (4) 1/4" x Ø 5/8" x .045" Thick S.S. Flat Washer

**Packaging**

Boxed Dimensions: 11" x 11" x 27"  
 Boxed Weight: 21 Lbs.

Complete Part Numbers with Finish		Device Mtg. Plate Configurations	
Powder Coated ("C")	Brushed Finish ("SS")	Description	
5P24-C-D-HT-*-140	5P24-SS-D-HT-140	PED0140 (2-Gang)	
5P24-C-D-HT-*-144	5P24-SS-D-HT-144	PED0144 (30A 1-9/16" & 20A)	

\* Color Code: B = Black, G = Gray, GN = Green, BR = Brown, BRZ = Bronze, CSTM = Custom Color

