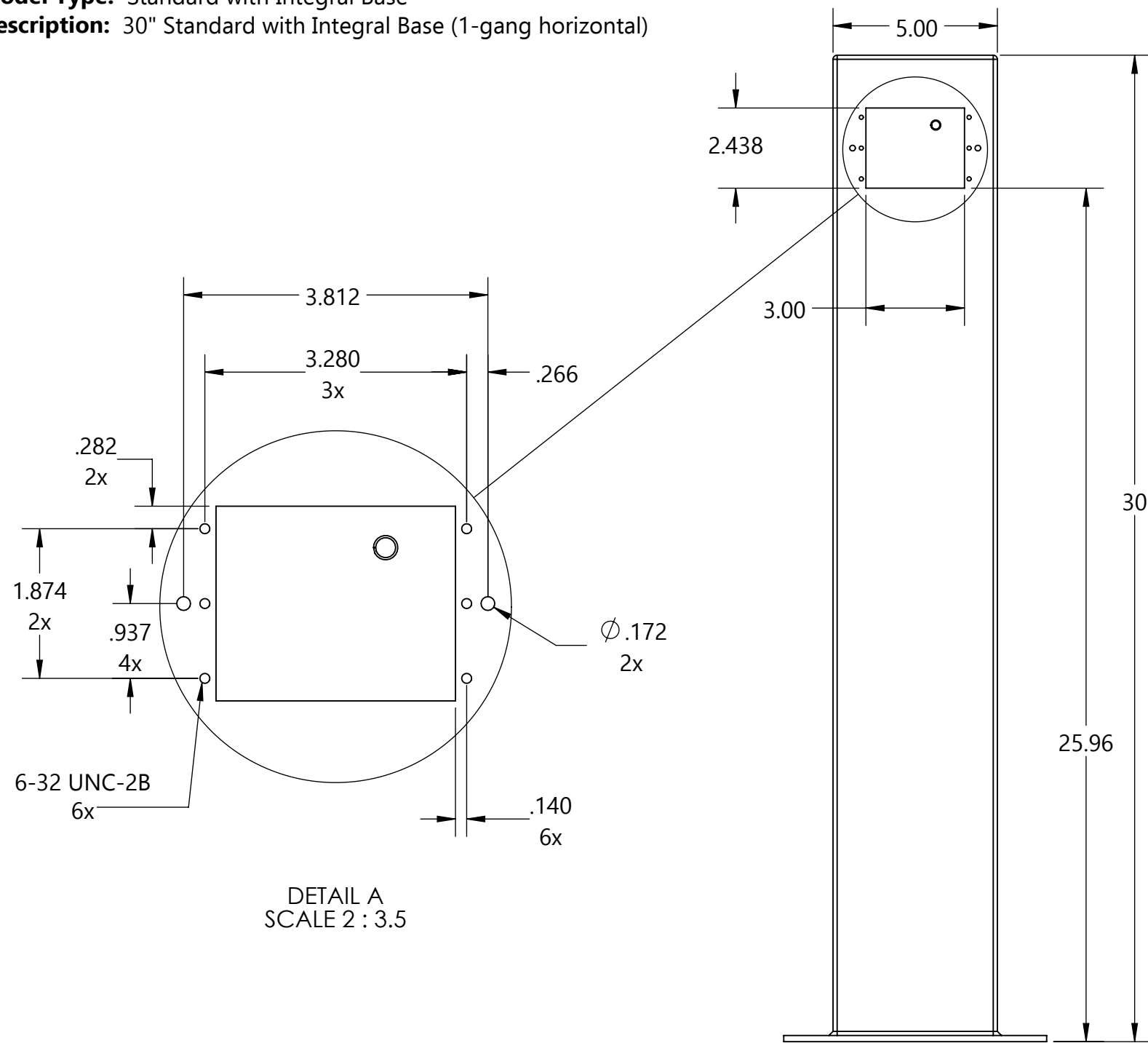
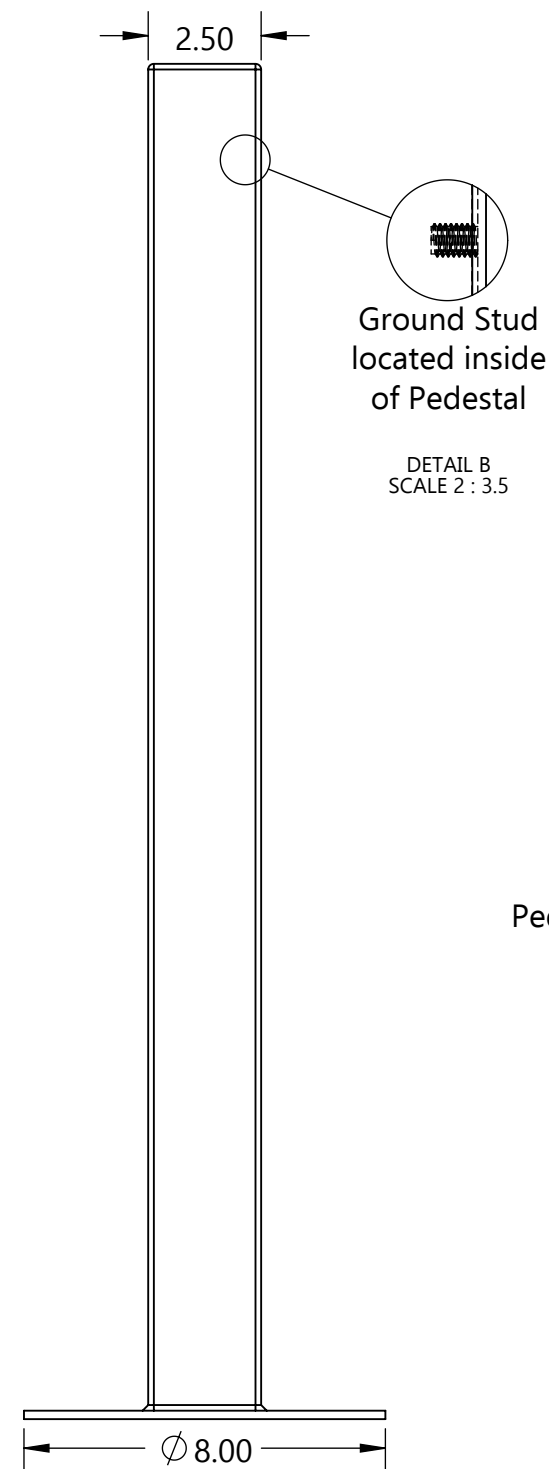


Model Type: Standard with Integral Base

Description: 30" Standard with Integral Base (1-gang horizontal)



DETAIL A
SCALE 2 : 3.5

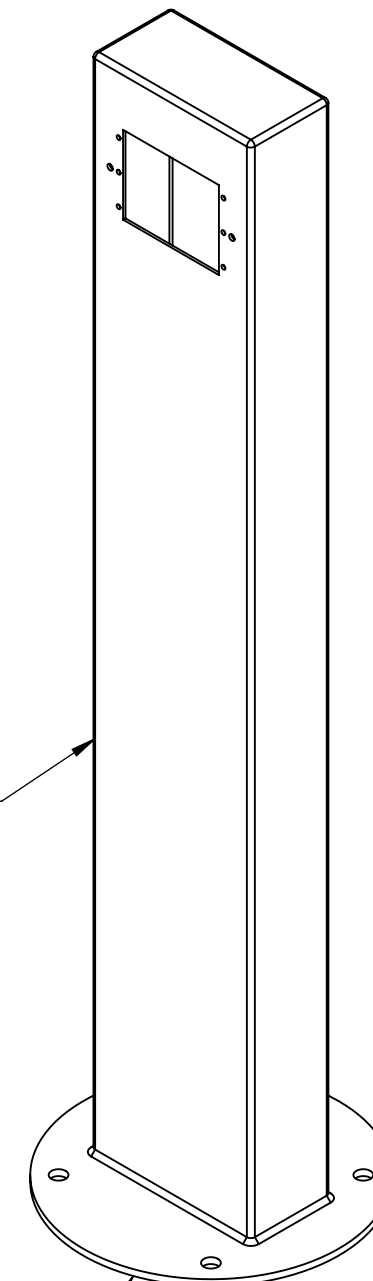


Ground Stud
located inside
of Pedestal

DETAIL B
SCALE 2 : 3.5

Pedestal Body

Integral Base



| Part Numbers with Finish Indicated | | Material | |
|------------------------------------|-----------------------------------|---------------------|--------------------------|
| Powder coated stainless steel | | | |
| Black (B) | 1P30-C-HZ-B | Pedestal Body | 14 gauge stainless steel |
| Gray (G) | 1P30-C-HZ-G | Integral Base | 7 gauge stainless steel |
| Bronze (BRZ) | 1P30-C-HZ-BRZ | | |
| Green (GN) | 1P30-C-HZ-GN | | |
| Brown (BR) | 1P30-C-HZ-BR | | |
| Custom (CSTM) | 1P30-C-HZ-CSTM (paint chip req'd) | Packaged Dimensions | 11" x 11" x 45" |
| Brushed stainless steel | 1P30-SS-HZ | Packaged Weight | 16 Lbs. |

Base Mounting Hardware (included)

- (4) 1/4"-20 x 2-1/4" S.S. Wedge Anchors
- (4) 1/4"-20 S.S. High Crown Acorn Cap Nut
- (4) 1/4" x Ø 5/8" x .045" Thick S.S. Flat Washer

