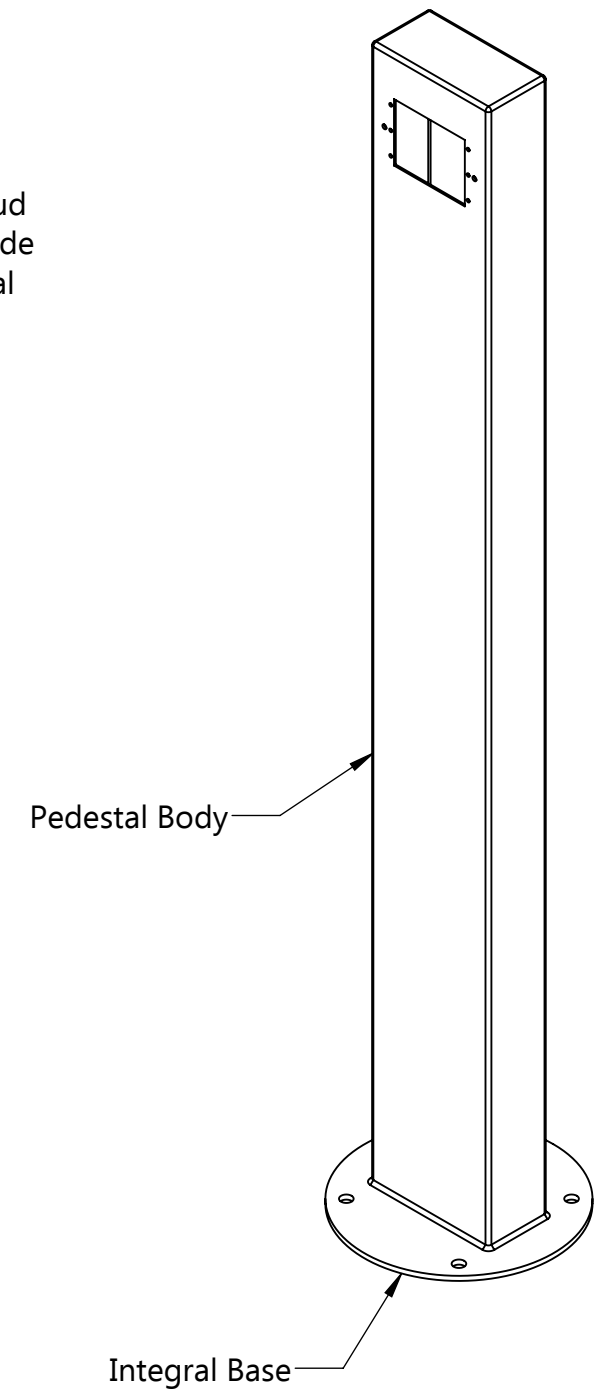
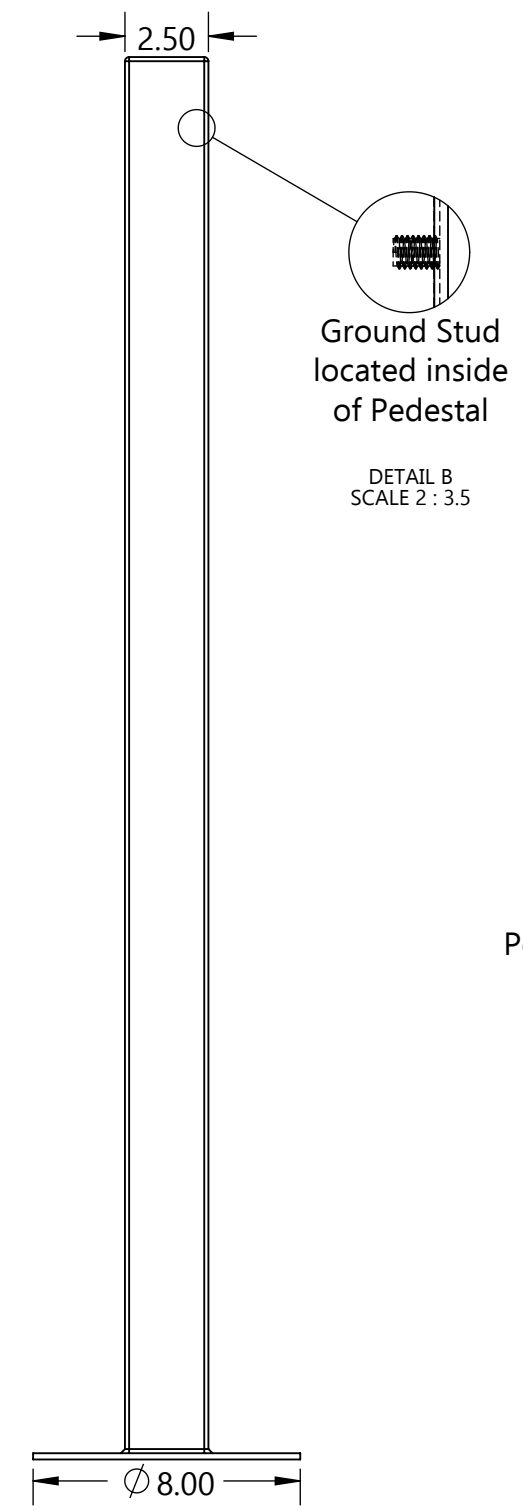
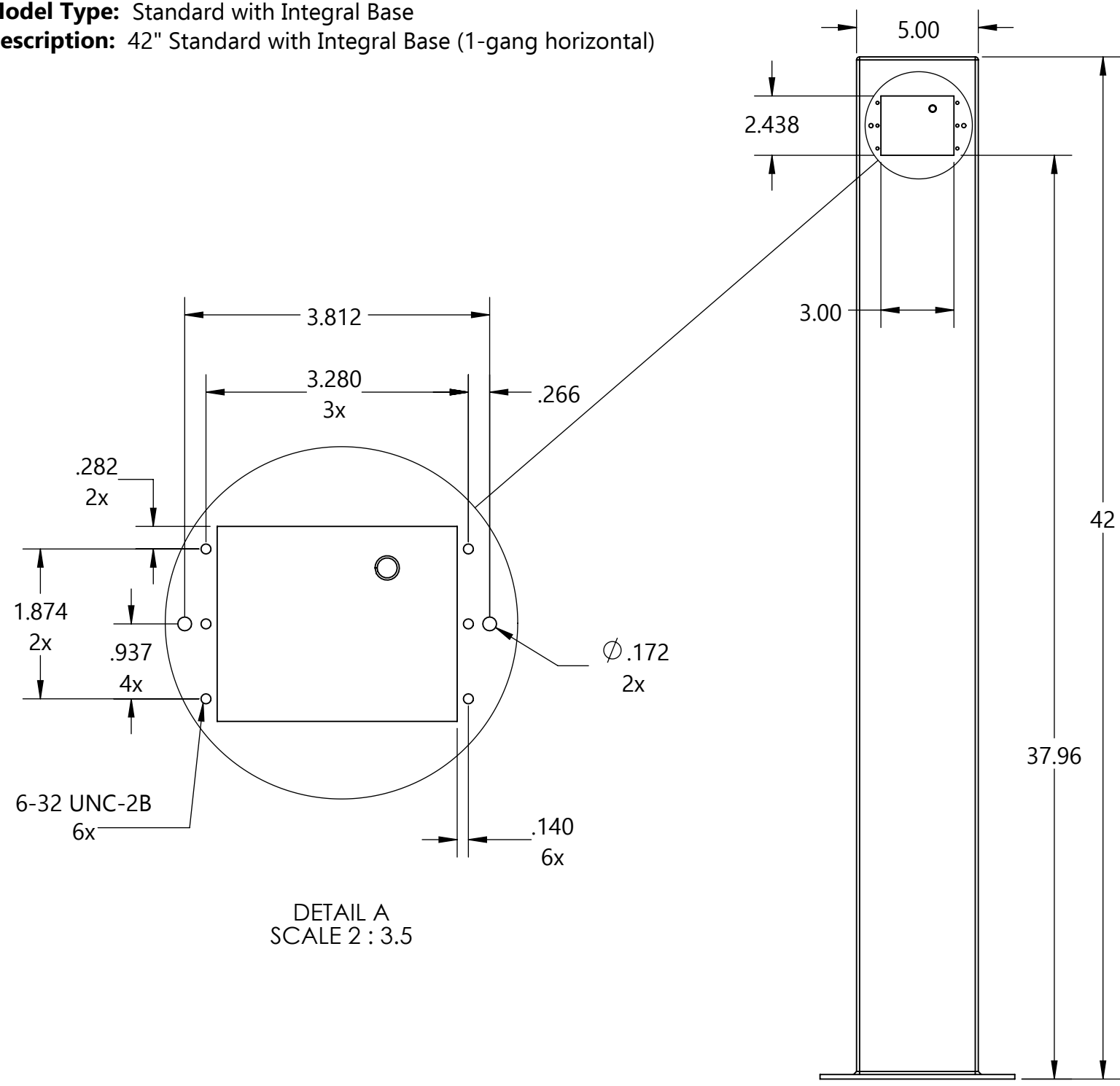


**Model Type:** Standard with Integral Base

**Description:** 42" Standard with Integral Base (1-gang horizontal)



Part Numbers with Finish Indicated		Material	
Powder coated stainless steel			
Black (B)	1P42-C-HZ-B	Pedestal Body	14 gauge stainless steel
Gray (G)	1P42-C-HZ-G	Integral Base	7 gauge stainless steel
Bronze (BRZ)	1P42-C-HZ-BRZ		
Green (GN)	1P42-C-HZ-GN		
Brown (BR)	1P42-C-HZ-BR		
Custom (CSTM)	1P42-C-HZ-CSTM (paint chip req'd)	Packaged Dimensions	11" x 11" x 45"
Brushed stainless steel	1P42-SS-HZ	Packaged Weight	19 Lbs.

- Base Mounting Hardware (included)**
- (4) 3/8"-16 x 2-3/4" S.S. Wedge Anchors
  - (4) 3/8"-16 S.S. High Crown Acorn Cap Nut
  - (4) 3/8" x Ø 7/8" x .05" Thick S.S. Flat Washer

