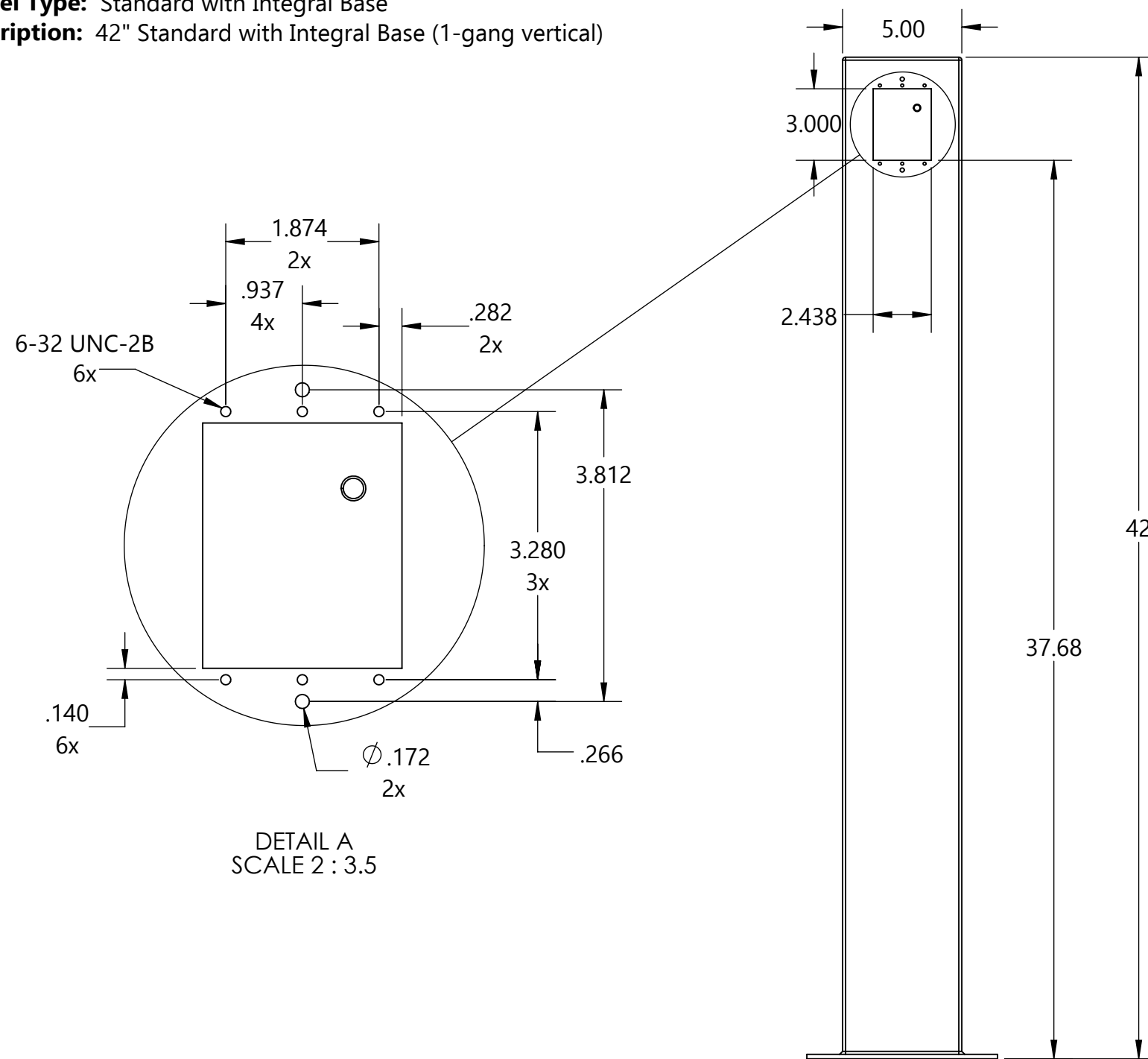
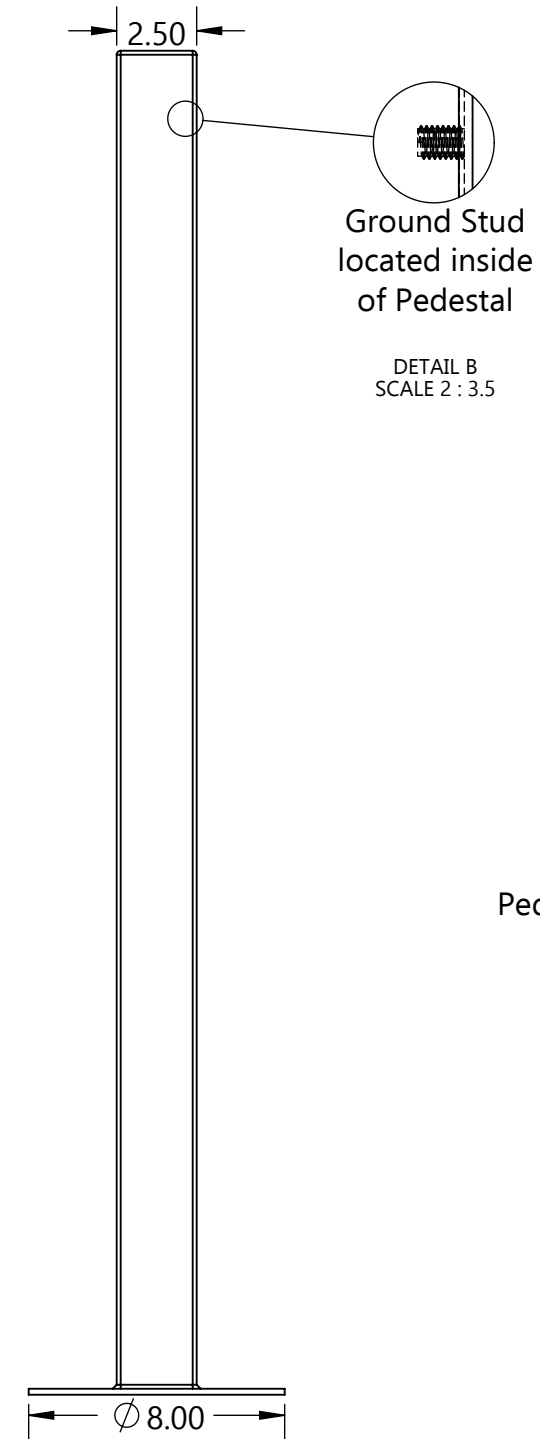


**Model Type:** Standard with Integral Base

**Description:** 42" Standard with Integral Base (1-gang vertical)



DETAIL A  
SCALE 2 : 3.5



Ground Stud  
located inside  
of Pedestal

DETAIL B  
SCALE 2 : 3.5

Pedestal Body

Integral Base

| Part Numbers with Finish Indicated |                                  | Material            |                          |
|------------------------------------|----------------------------------|---------------------|--------------------------|
| Powder coated stainless steel      |                                  |                     |                          |
| Black (B)                          | 1P42-C-V-B                       | Pedestal Body       | 14 gauge stainless steel |
| Gray (G)                           | 1P42-C-V-G                       | Integral Base       | 7 gauge stainless steel  |
| Bronze (BRZ)                       | 1P42-C-V-BRZ                     |                     |                          |
| Green (GN)                         | 1P42-C-V-GN                      |                     |                          |
| Brown (BR)                         | 1P42-C-V-BR                      |                     |                          |
| Custom (CSTM)                      | 1P42-C-V-CSTM (paint chip req'd) | Packaged Dimensions | 11" x 11" x 45"          |
| Brushed stainless steel            | 1P42-SS-V                        | Packaged Weight     | 19 Lbs.                  |

**Base Mounting Hardware (included)**

- (4) 3/8"-16 x 2-3/4" S.S. Wedge Anchors
- (4) 3/8"-16 S.S. High Crown Acorn Cap Nut
- (4) 3/8" x Ø 7/8" x .05" Thick S.S. Flat Washer

