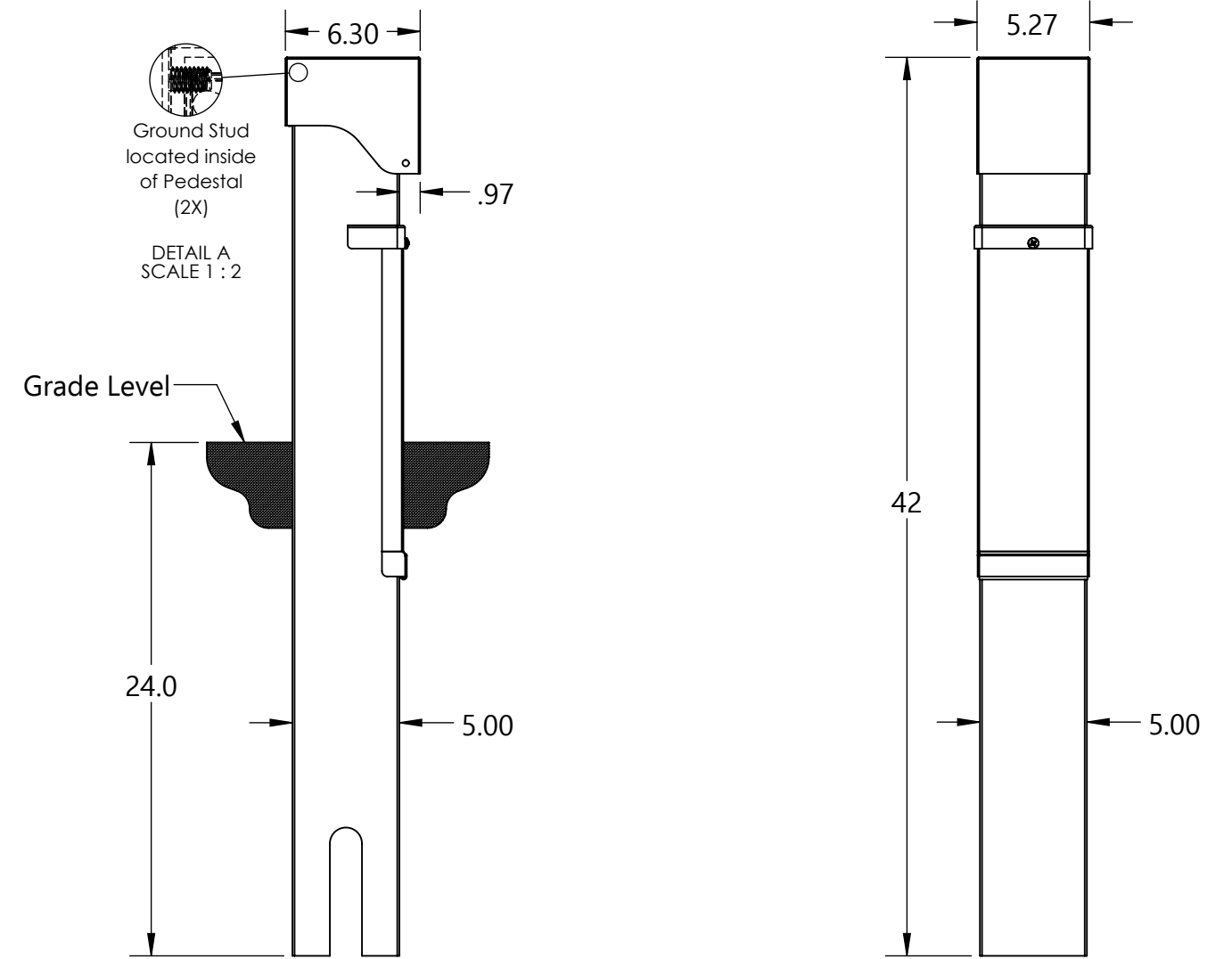
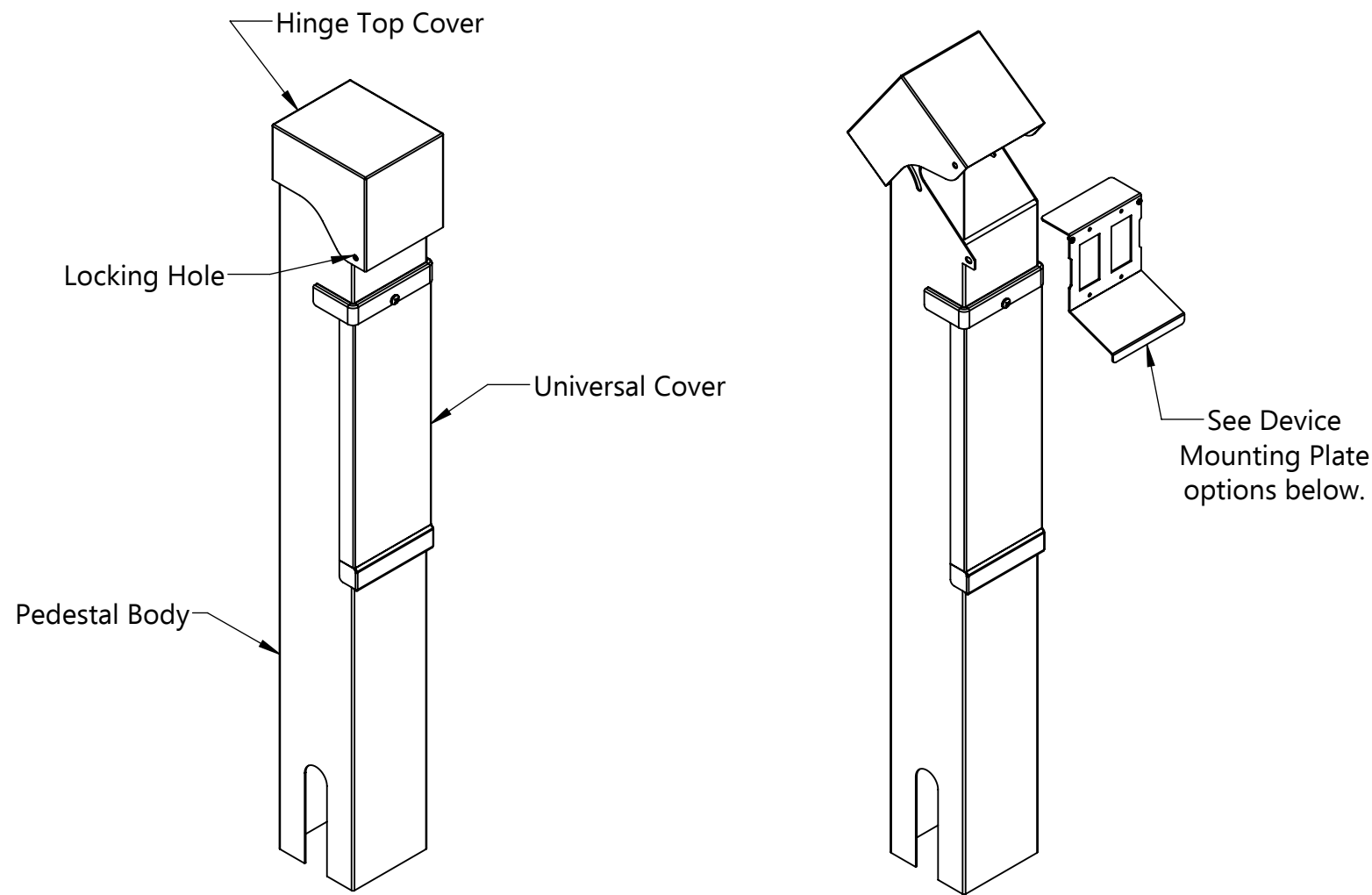


**Model Type:** 5x5 Hinge Top Without Base: Direct Bury  
**Description:** 42" 5x5 Hinge Top Without Base: Direct Bury



Complete Part Numbers with Finish		Device Mtg. Plate Configurations	
Powder Coated ("C")	Brushed Finish ("SS")	Description	
542-C-HT-*-140	542-SS-HT-140	PED0140 (2-Gang)	
542-C-HT-*-142	542-SS-HT-142	PED0142 (30A 1-9/16")	
542-C-HT-*-144	542-SS-HT-144	PED0144 (30A 1-9/16" & 20A)	
542-C-HT-*-148	542-SS-HT-148	PED0148 (30A 2-1/8")	
542-C-HT-*-154	542-SS-HT-154	PED0154 (50/60A)	

\* Color Code: B = Black, G = Gray, GN = Green, BR = Brown, BRZ = Bronze, CSTM = Custom Color

**Material**  
 14 Ga. 304 Stainless Steel: Pedestal Body, Top Cover, Universal Cover, Device Mounting Plate

**Packaging**  
 Boxed Dimensions: 11" x 11" x 45"  
 Boxed Weight: 26 Lbs.

