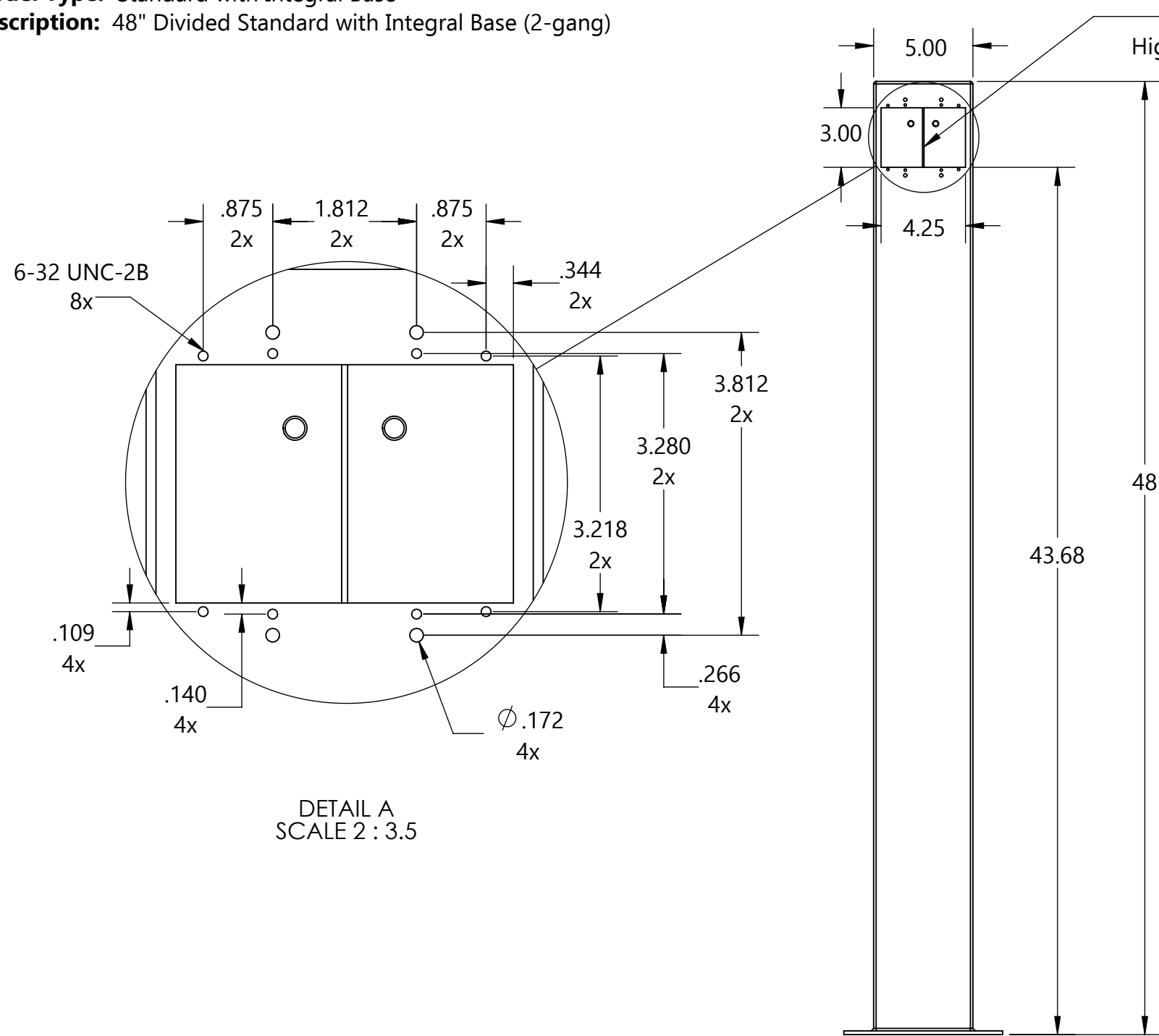


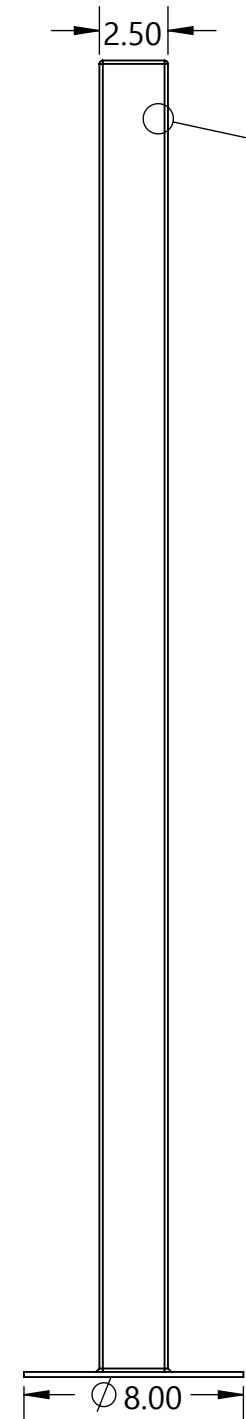
Model Type: Standard with Integral Base

Description: 48" Divided Standard with Integral Base (2-gang)



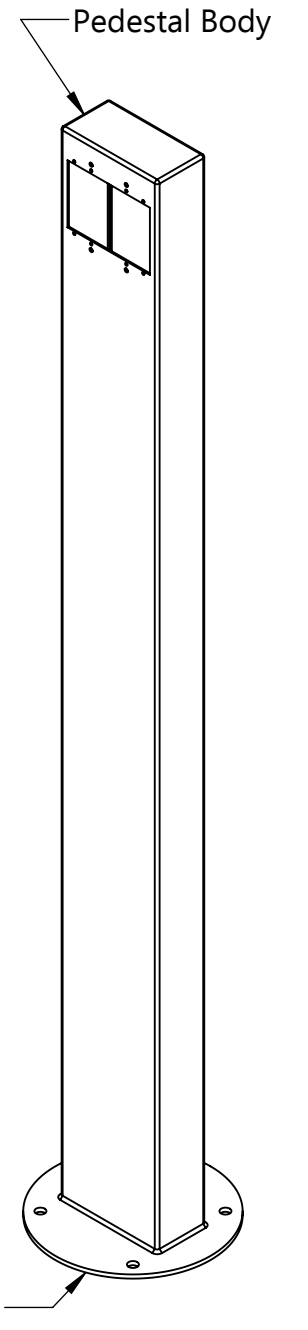
DETAIL A
SCALE 2 : 3.5

Divided for High/Low Voltage



Ground Stud located inside of Pedestal

DETAIL B
SCALE 2 : 3.5



Part Numbers with Finish Indicated		Material	
Powder coated stainless steel			
Black (B)	2P48-C-D-B	Pedestal Body	14 gauge stainless steel
Gray (G)	2P48-C-D-G	Integral Base	7 gauge stainless steel
Bronze (BRZ)	2P48-C-D-BRZ		
Green (GN)	2P48-C-D-GN		
Brown (BR)	2P48-C-D-BR		
Custom (CSTM)	2P48-C-D-CSTM (paint chip req'd)	Packaged Dimensions	11" x 11" x 52"
Brushed stainless steel	2P48-SS-D	Packaged Weight	23 Lbs.

Base Mounting Hardware (included)

- (4) 3/8"-16 x 2-3/4" S.S. Wedge Anchors
- (4) 3/8"-16 S.S. High Crown Acorn Cap Nut
- (4) 3/8" x Ø 7/8" x .05" Thick S.S. Flat Washer

