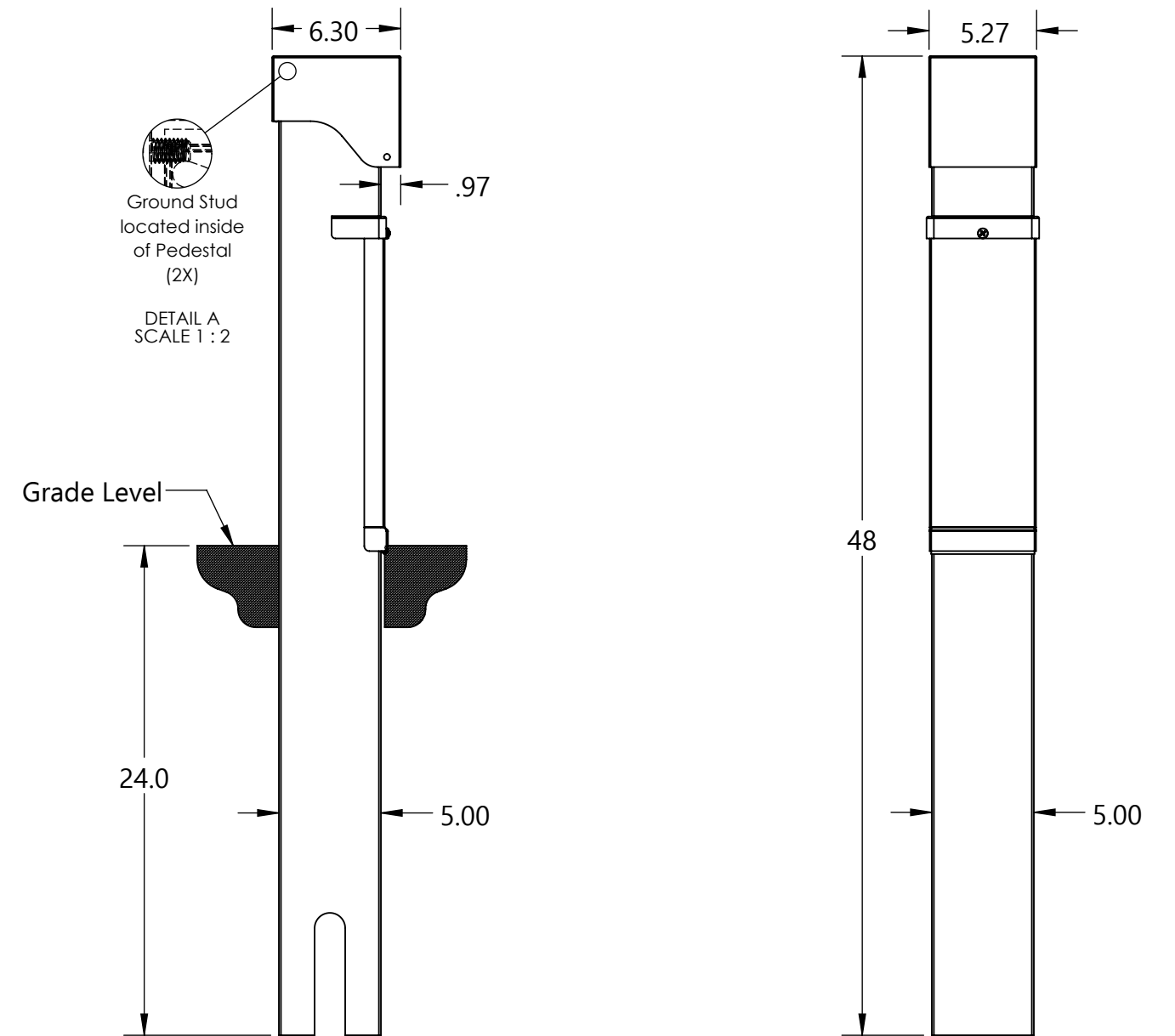
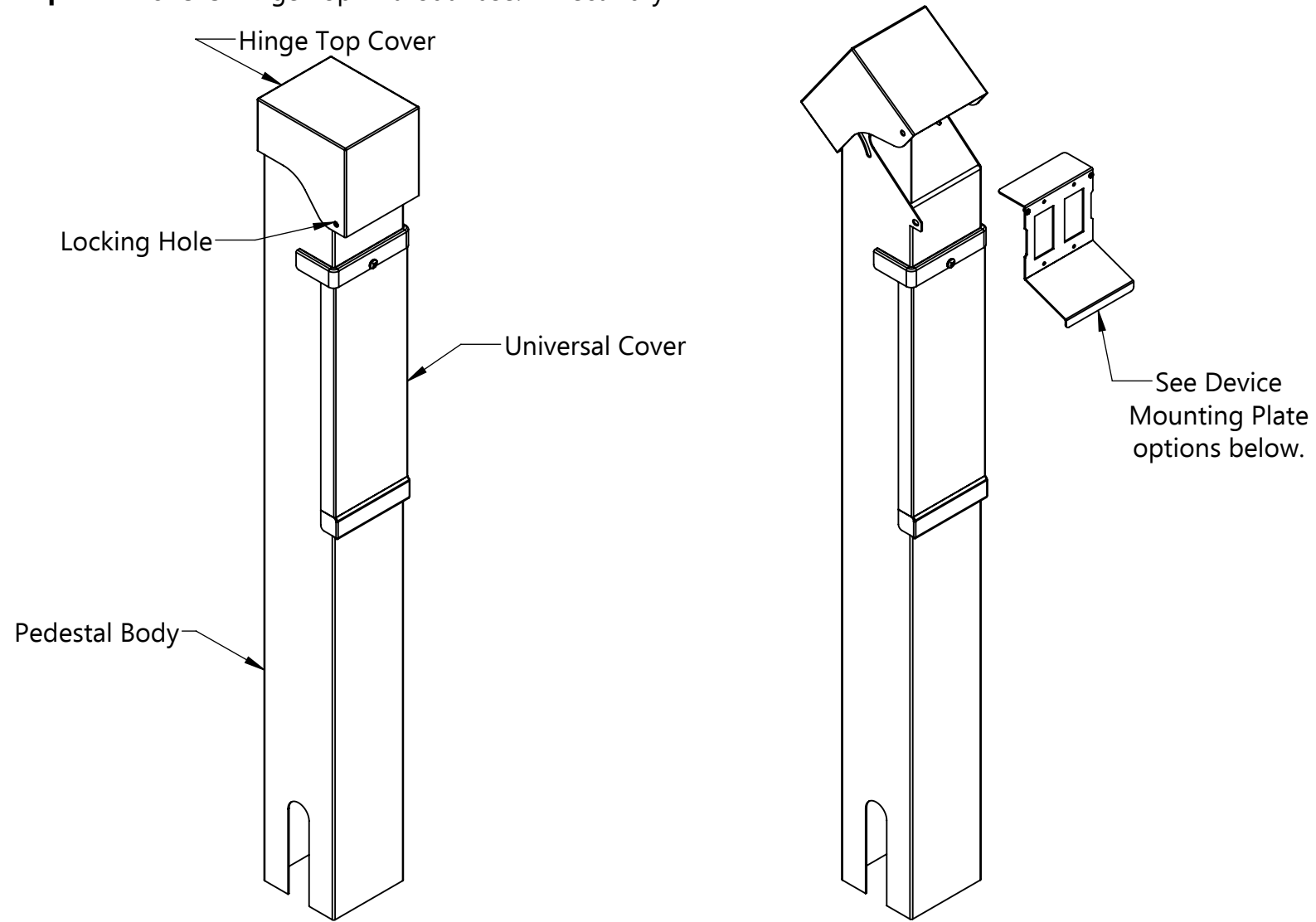


Model Type: 5x5 Hinge Top Without Base: Direct Bury
Description: 48" 5x5 Hinge Top Without Base: Direct Bury



Complete Part Numbers with Finish		Device Mtg. Plate Configurations	
Powder Coated ("C")	Brushed Finish ("SS")	Description	
548-C-HT-*-140	548-SS-HT-140	PED0140 (2-Gang)	
548-C-HT-*-142	548-SS-HT-142	PED0142 (30A 1-9/16")	
548-C-HT-*-144	548-SS-HT-144	PED0144 (30A 1-9/16" & 20A)	
548-C-HT-*-148	548-SS-HT-148	PED0148 (30A 2-1/8")	
548-C-HT-*-154	548-SS-HT-154	PED0154 (50/60A)	

* Color Code: B = Black, G = Gray, GN = Green, BR = Brown, BRZ = Bronze, CSTM = Custom Color

Material
 14 Ga. 304 Stainless Steel: Pedestal Body, Top Cover, Universal Cover, Device Mounting Plate

Packaging
 Boxed Dimensions: 11" x 11" x 52"
 Boxed Weight: 28 Lbs.

