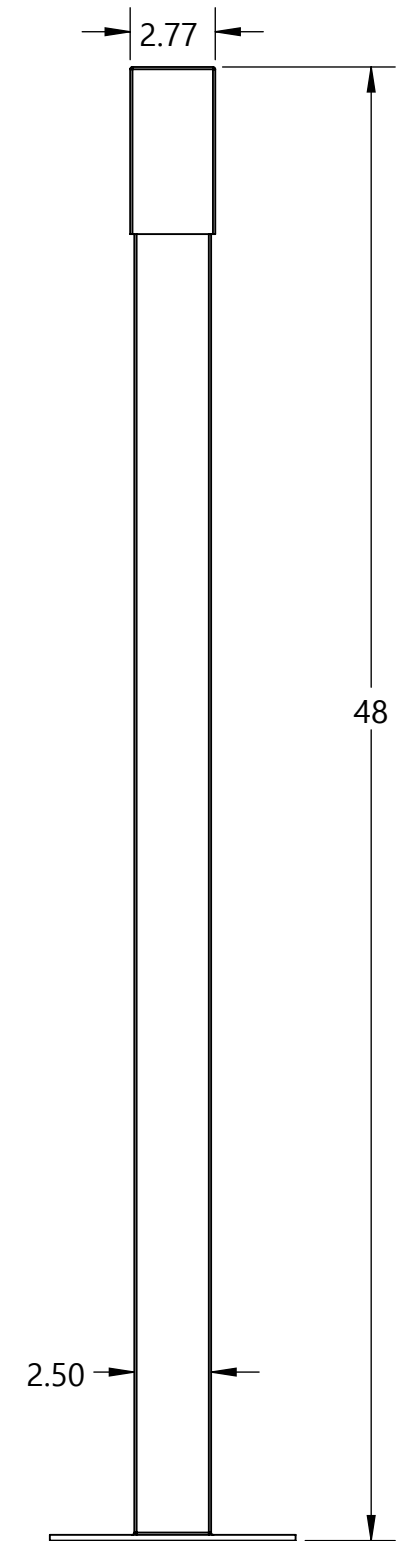
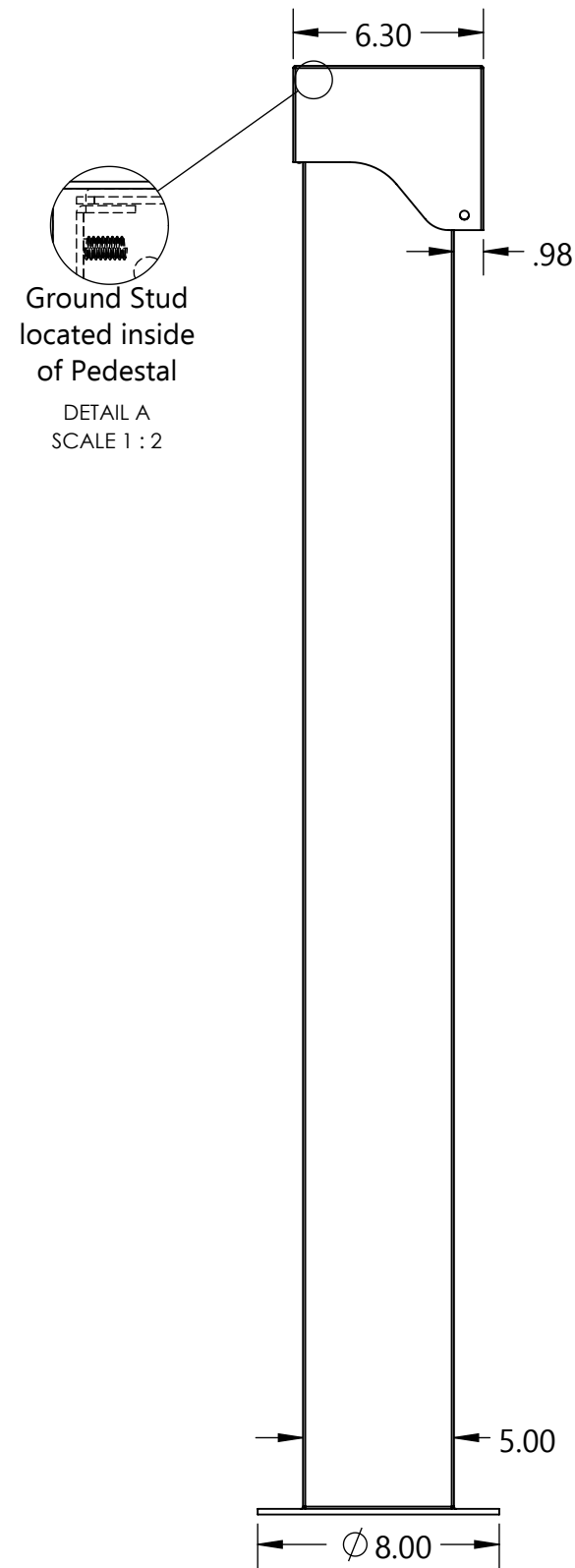
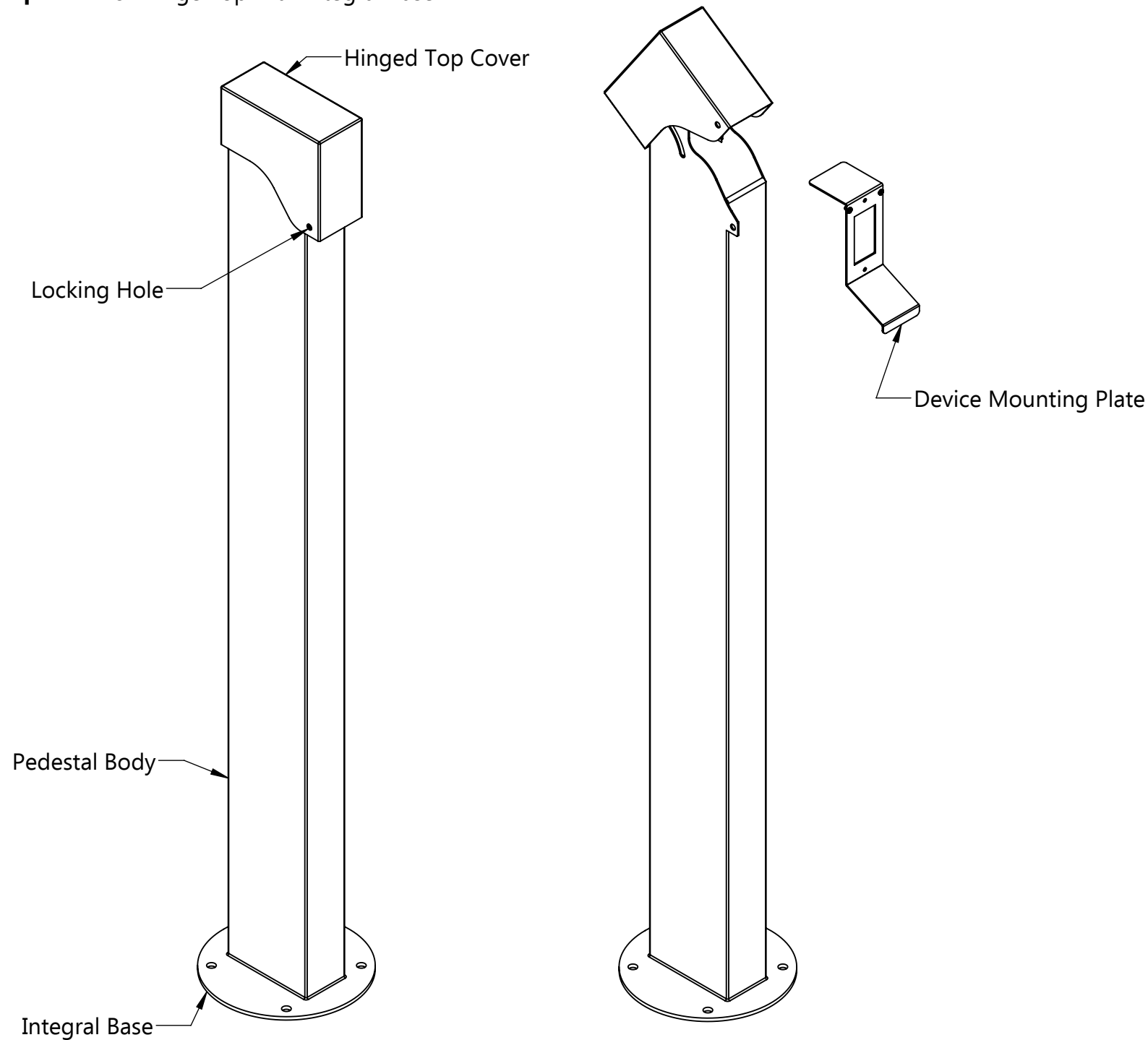


**Model Type:** Hinge Top with Integral Base  
**Description:** 48" Hinge Top with Integral Base



Part Numbers with Finish Indicated		Material	
Powder coated stainless steel			
Black (B)	1P48-C-HT-B	Pedestal Body	14 gauge stainless steel
Gray (G)	1P48-C-HT-G	Hinged Cover	14 gauge stainless steel
Bronze (BRZ)	1P48-C-HT-BRZ	Device Mounting Plate	14 gauge stainless steel
Green (GN)	1P48-C-HT-GN	Integral Base	7 gauge stainless steel
Brown (BR)	1P48-C-HT-BR		
Custom (CSTM)	1P48-C-HT-CSTM (paint chip req'd)	Packaged Dimensions	11" x 11" x 52"
Brushed stainless steel	1P48-SS-HT	Packaged Weight	24 Lbs.

**Base Mounting Hardware (included)**  
 (4) 3/8"-16 x 2-3/4" S.S. Wedge Anchors  
 (4) 3/8"-16 S.S. High Crown Acorn Cap Nut  
 (4) 3/8" x Ø 7/8" x .05" Thick S.S. Flat Washer

