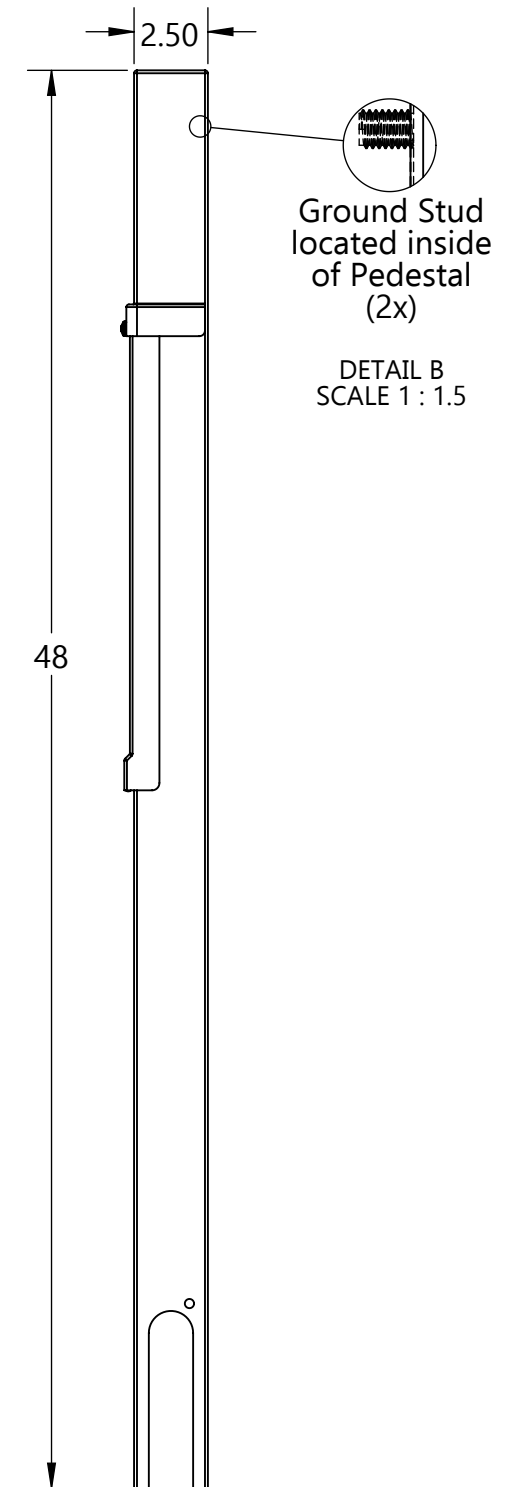
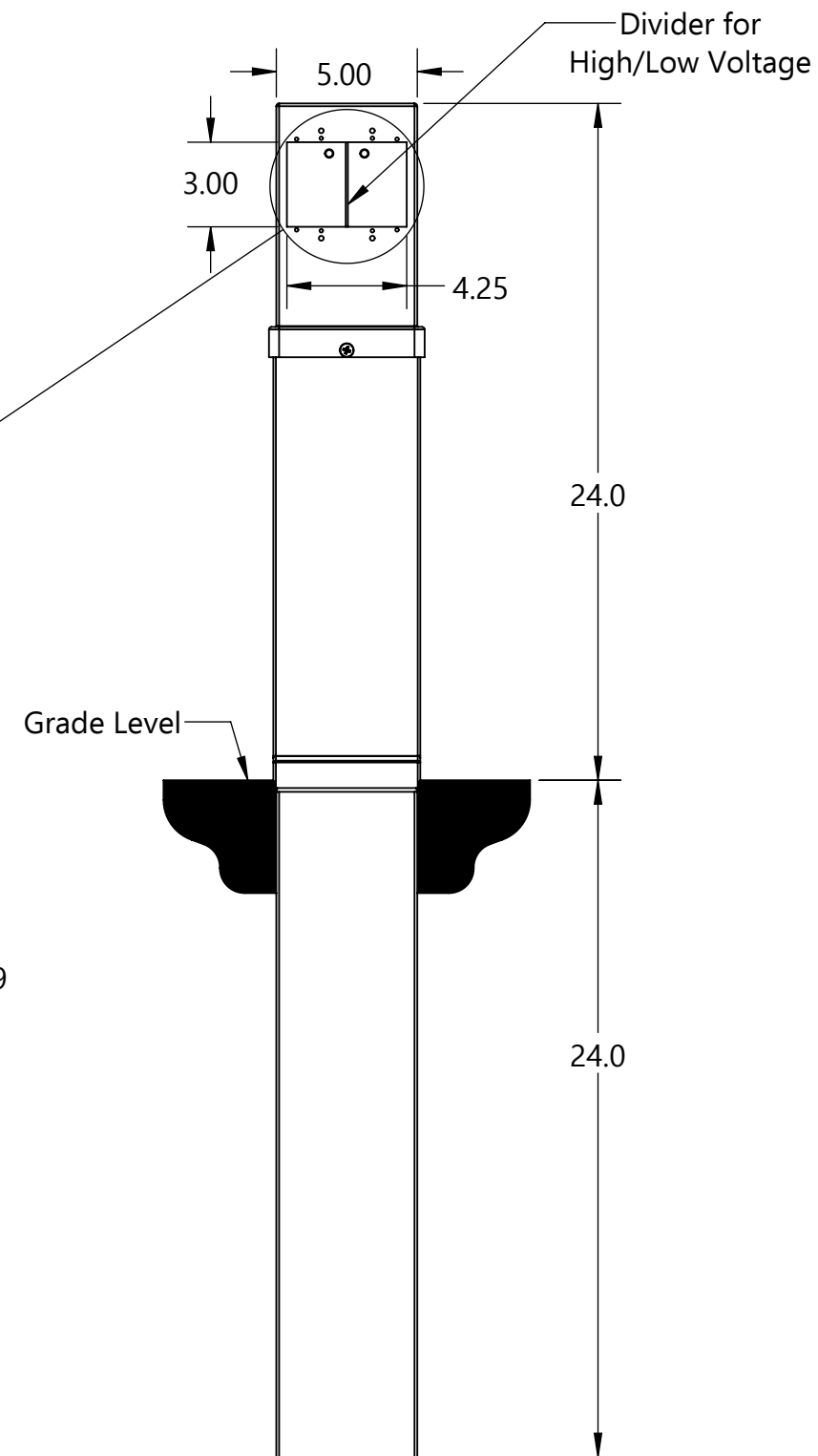
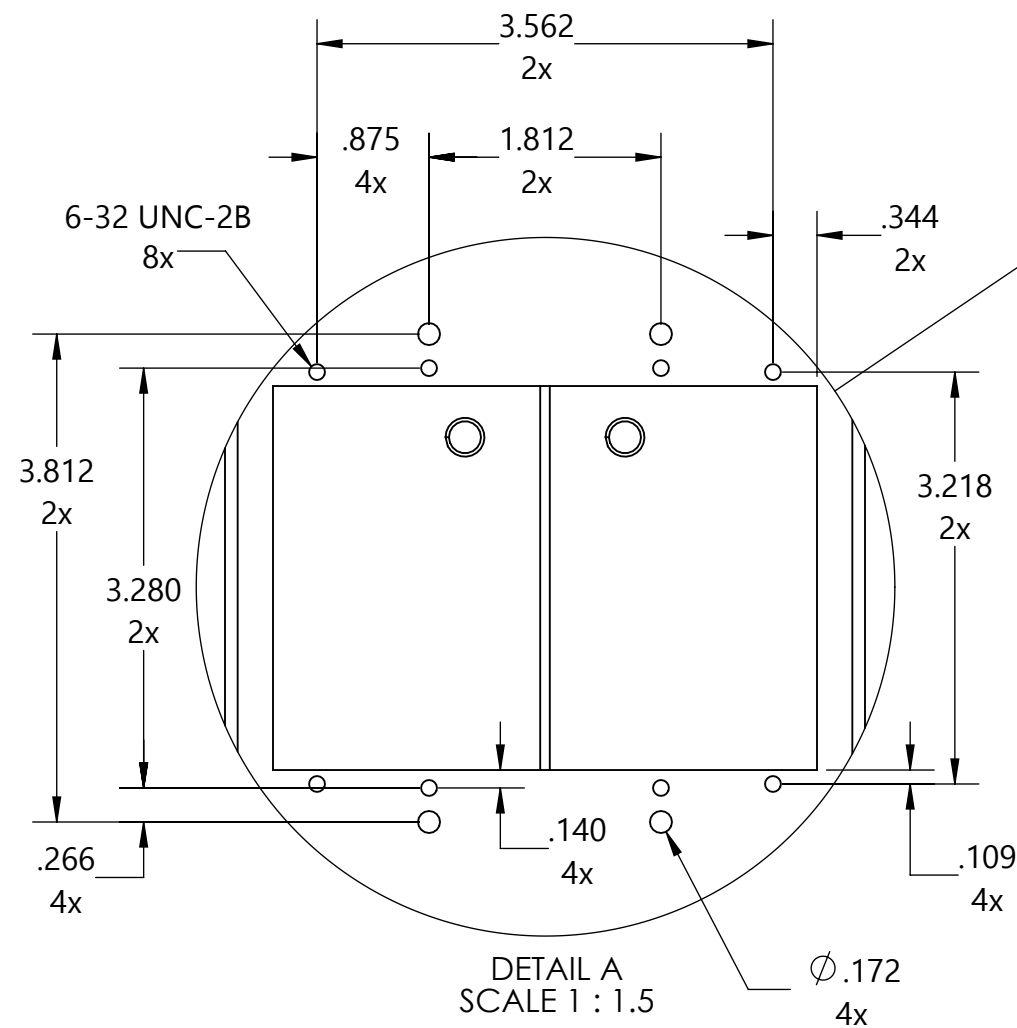
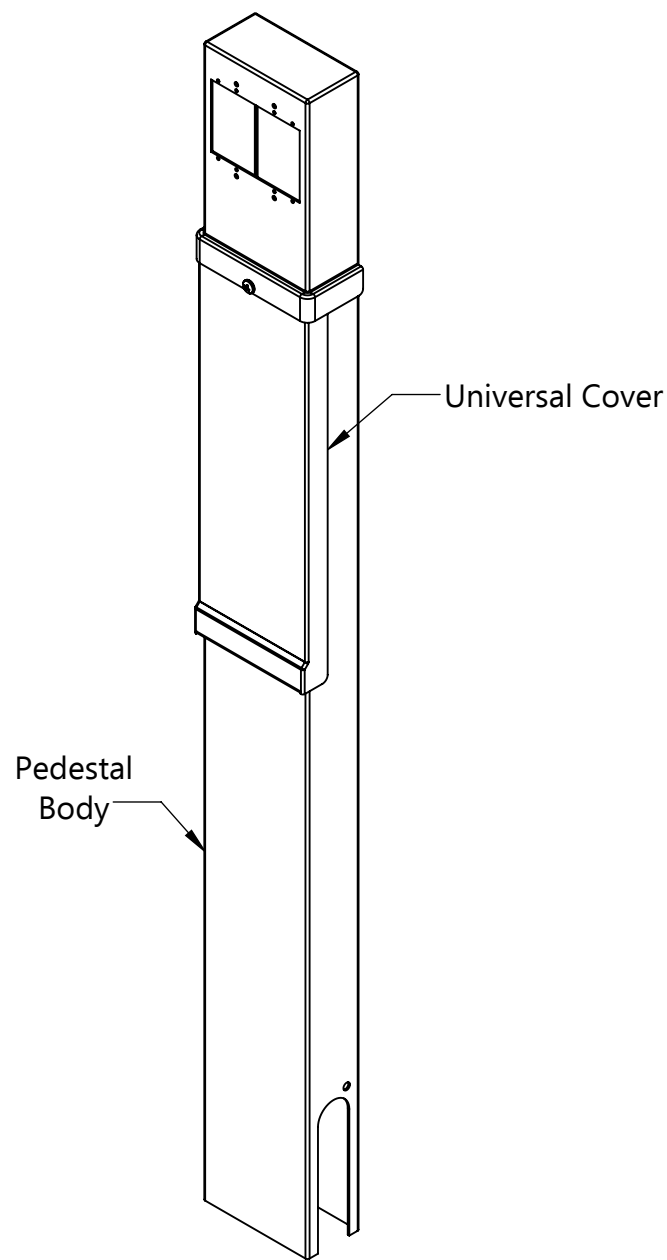


Model Type: Standard Direct Bury
Description: 48" Divided Standard Direct Bury (2-gang)



Part Numbers with Finish Indicated		Material	
Powder coated stainless steel			
Black (B)	248-C-D-B	Pedestal Body	14 gauge stainless steel
Gray (G)	248-C-D-G	Universal Cover	14 gauge stainless steel
Bronze (BRZ)	248-C-D-BRZ		
Green (GN)	248-C-D-GN		
Brown (BR)	248-C-D-BR		
Custom (CSTM)	248-C-D-CSTM (paint chip req'd)	Packaged Dimensions	4" x 7" x 50"
Brushed stainless steel	248-SS-D	Packaged Weight	20 Lbs.

