

Specifications: 5x5 Hinge Top without Base

Industrial durability for in-ground use

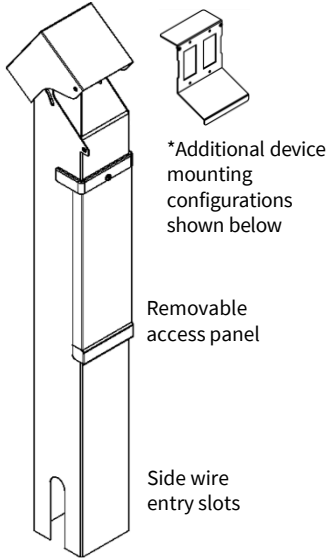
PEDOC
THE OUTDOOR ELECTRIC POWER SOLUTION



cULus Listed: Standard 1773. Rated NEMA 3R. Options that meet ADA minimum 15" receptacle height requirement.

5x5 Hinge Top without Base

1-gang, 2-gang, 2-gang divided (up to 60 amp devices)



Free standing power pedestals that are an aesthetically pleasing solution to safely and conveniently bring power to any outdoor location. Offering hundreds of configurations and finishes, Pedocs will blend into any landscape.

Material	304 Stainless Steel: 14-gauge body, cover and access panel; optional upgrade to 316
Construction	Welded body and weatherproof cover (lockable)
Finishes	Outdoor rated powder coat paint (standard and custom), brushed stainless
Heights	42", 48", 54" (24" must be buried below grade)
Dimensions	5" wide by 5" deep pedestal with 5-1/4" wide by 6-1/4" deep cover
Devices	Not supplied; weather-resistance receptacles must be used
Device Mount	Removable receptacle mounting plate included
Cover	Auto-closing cover provides protection to meet while-in-use requirements
Hardware	Pre-installed SS grounding hardware included
Application	May be ordered with a divider for high and low voltage (data)
Customization	Custom powder coat option
Installation	Open bottom, removeable wire access panel and wire entry slots

Part numbering guide

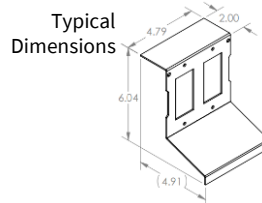
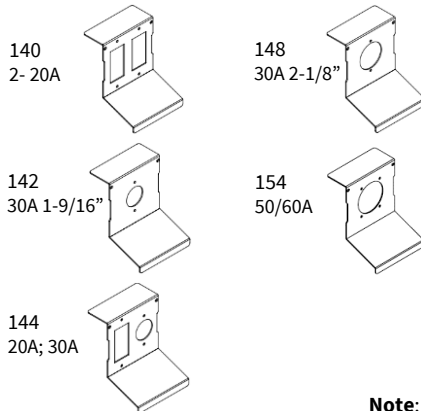
Mounting Type	Hgt. in Inches	Finish Type	High/low Volt. divider	Cover	Color (coated only)	Device Mtg. Plate*
5 (always)	42 48 54	-C (powder coated) -SS (brushed)	-D (divided) (leave blank for power only)	-HT (always)	-B (black) -G (gray) -BRZ (bronze) -GN (green) -BR (brown) -CSTM (custom) leave blank for "SS" finish	-140 (2-gang 20A) -142 (30A 1-9/16" dia.) -144 (20A and 30A) -148 (30A 2-1/8" dia.) -154 (50/60A)

Example:

548-C-HT-G-140 (model pictured right)

5 (always)	48 48" tall	-C Coated	Blank	-HT (always)	-G Gray	-140 2-gang 20A
----------------------	-----------------------	---------------------	-------	------------------------	-------------------	---------------------------

*Device Mounting Plate Configurations



Note: Part numbers have recently been updated. If you cannot find a part number, [click here](#) for a cross-reference guide.

Finishes

Black (B)	Gray (G)	Bronze (BRZ)	Green (GN)	Brown (BR)	Custom (CSTM)	Brushed S.S. (SS)
-----------	----------	--------------	------------	------------	---------------	-------------------

Welded tamperproof cover



Devices and accessories not supplied

Product highlights

- Locking tab to prohibit unauthorized use
- Self-closing cover prevents ingress of water from outdoor elements
- Spacing between cover and pedestal to allow cords to safely pass
- Removeable access panel and sides wire entry slots for easy installation

U.S.A. manufactured and 100% U.S.A. sales and tech support.

www.pedocpower.com | info@pedocpower.com | (888) 518-0330

Pedoc 5X5 without Base
Spec Sheet - updated Feb 2023