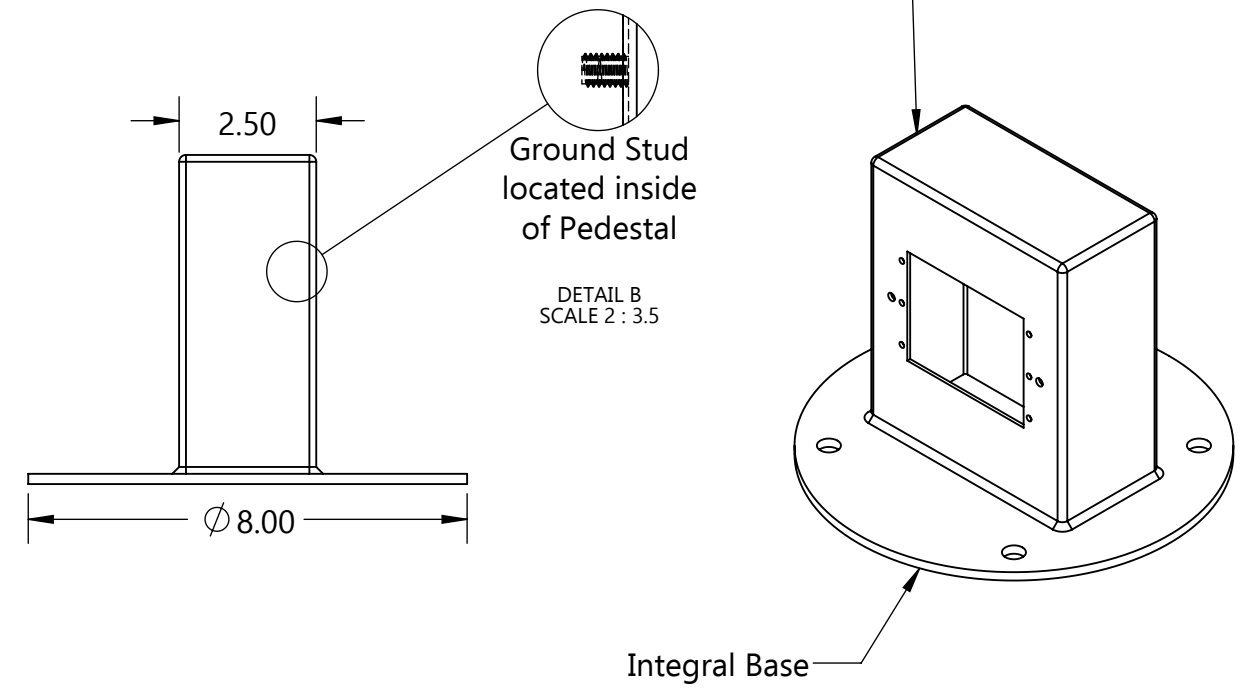
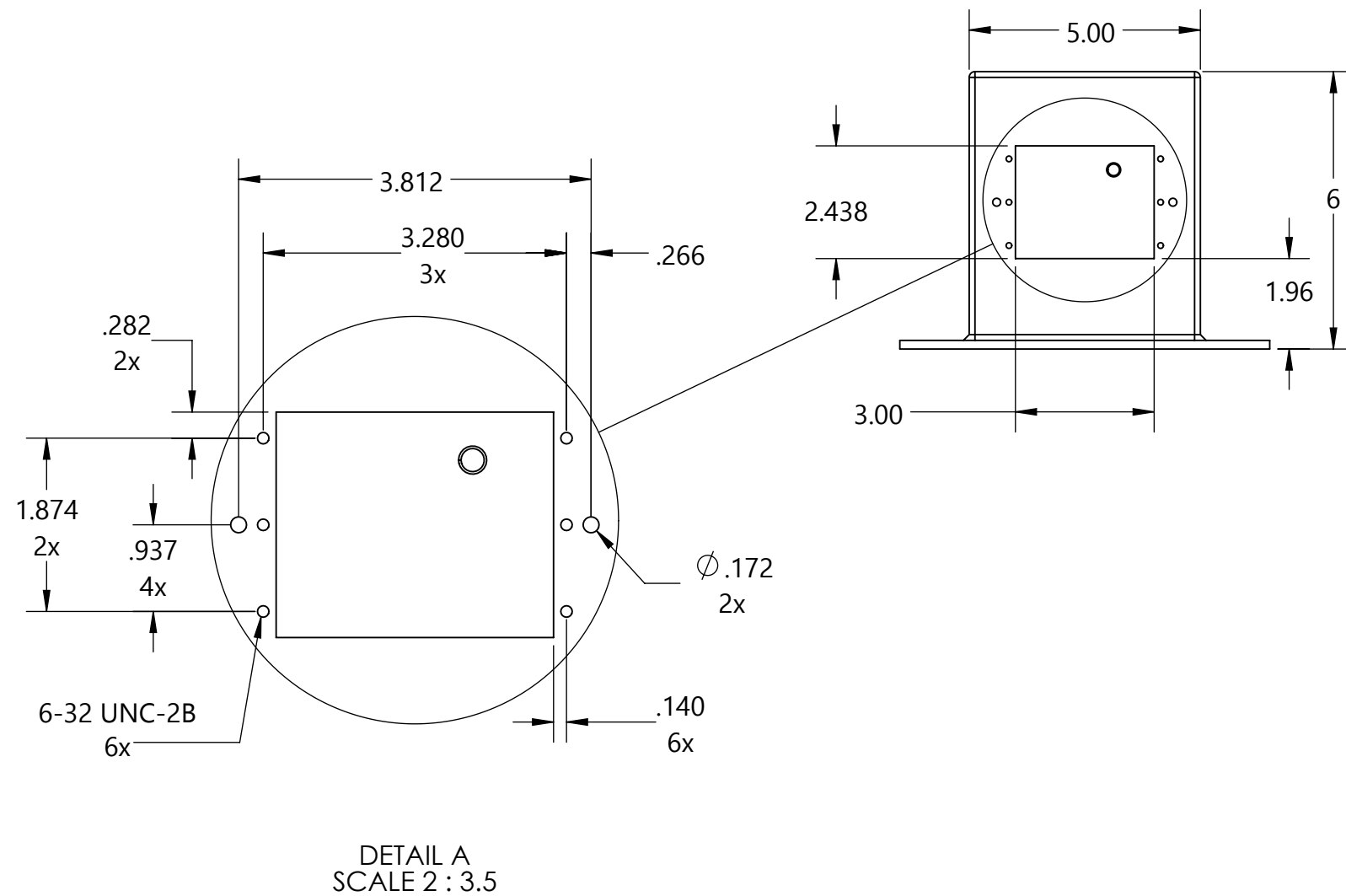


Model Type: Standard with Integral Base
Description: 6" Standard with Integral Base (1-gang horizontal)



Part Numbers with Finish Indicated		Material	
Powder coated stainless steel			
Black (B)	1P6-C-HZ-B	Pedestal Body	14 gauge stainless steel
Gray (G)	1P6-C-HZ-G	Integral Base	7 gauge stainless steel
Bronze (BRZ)	1P6-C-HZ-BRZ		
Green (GN)	1P6-C-HZ-GN		
Brown (BR)	1P6-C-HZ-BR		
Custom (CSTM)	1P6-C-HZ-CSTM (paint chip req'd)	Packaged Dimensions	11" x 11" x 21"
Brushed stainless steel	1P6-SS-HZ	Packaged Weight	7 Lbs.

Base Mounting Hardware (included)
 (4) 1/4"-20 x 2-1/4" S.S. Wedge Anchors
 (4) 1/4"-20 S.S. High Crown Acorn Cap Nut
 (4) 1/4" x Ø 5/8" x .045" Thick S.S. Flat Washer

