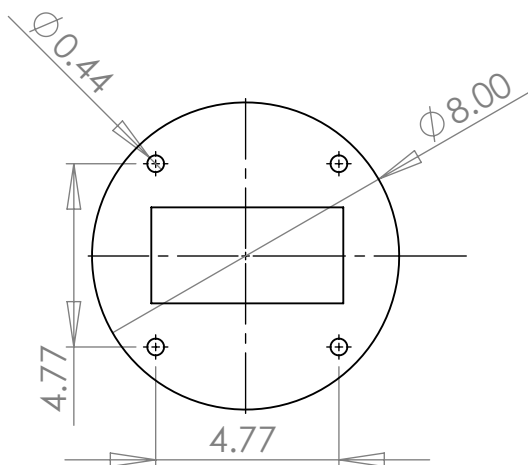
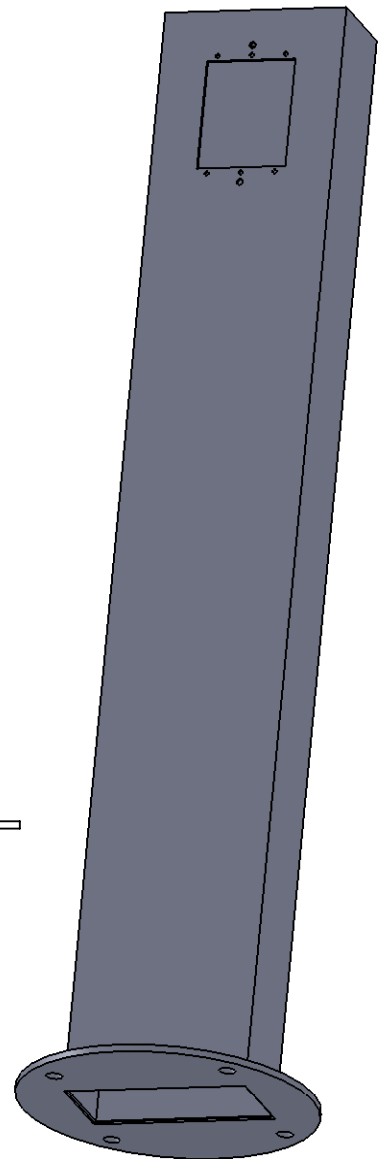


Gang
direction can
be horizontal



PEDOC POWER SOLUTIONS
PEDOC WITH INTEGRAL BASE
ONE GANG