

# Specifications: Hinge Top with Integral Base

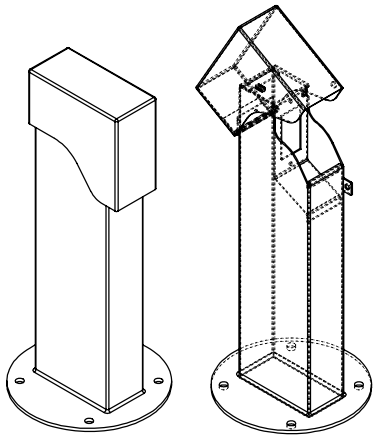
Sleek design for everyday powering



UL Listed: Standard 1773. Rated NEMA 3R. Options that meet ADA minimum 15" receptacle height requirement.

## Hinge Top with Integral Base

## 1-gang (up to 20 amp devices)



Free standing power pedestals that are an aesthetically pleasing solution to safely and conveniently bring power to any outdoor location. Offering hundreds of configurations and finishes, Pedocs will blend into any landscape.

Material	304 Stainless Steel: 14-gauge body, 7-gauge base; optional upgrade to 316
Construction	Welded pedestal body, base and weatherproof cover (lockable)
Finishes	Outdoor rated powder coat paint (standard and custom), brushed stainless
Height	18", 24", 30", 36", 42", 48"
Dimensions	2-1/2" wide by 4" deep pedestal; 2-3/4" wide by 6" deep cover; 8" dia. base
Amperage	Accepts up to 20 amp devices
Hardware	Pre-installed SS grounding hardware; anchoring hardware included
Application	May be ordered with a divider for high and low voltage (data)
Customization	Custom powder coat options
Installation	Open base to accommodate two 1-1/2" conduit raceways
Device Mount	Removable GFCI device mounting plate insert included
Additional	Devices not supplied

## Featuring a welded stainless steel lockable tamperproof cover



Devices not supplied

- Self-closing cover prevents ingress of water from outdoor elements
- Spacing between cover and pedestal to allow cords to safely pass
- Locking tab to prevent unwanted use
- Heavy stainless steel (SS) welded construction
- Choice of device mounting plates
- May be ordered with an internal dividing channel to separate high and low voltage
- Heavy stainless steel (SS) welded construction



## Part Numbering Guide

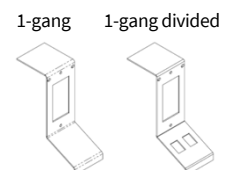
### Example of photo above:

1P18-C-HT-G

- 1 (always for this model)
- P (always for this model)
- 18 (18" tall)
- C (powder coated)
- left blank for non-divided
- HT (always for this model)
- G (gray)

Mtg. type	Hgt.	Finish type	High/low volt. divider	Cover	Color (coated only)
1P (always)	18" 24" 30" 36" 42" 48"	-C: powder coated -SS: brushed	Leave blank for non-divided -D: divided	-HT (always)	-B: black -G: gray -BRZ: bronze -GN: green -BR: brown -*CSTM: custom  Leave blank for brushed finish

### Device mounting plates



### Finishes

