



Overview

The Pedoc pedestal/mounting post is a Type “3R” Enclosure. At installation do not fasten conduits, raceways or cables to the Pedoc itself. “S” loops shall be formed with the cables and wires to prevent stress on the wires inside the enclosure. This will ensure that the cables and wires have adequate room to adjust for grade level changes caused by freezing and thawing cycles, and soil subsidence. Ground wires are to be included with the supply conductors, and then shall be used to provide the connection to the Pedoc ground terminal.

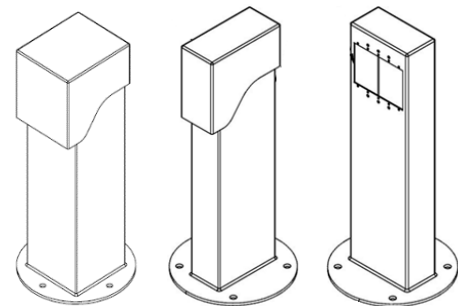
Standard models are usable with a UL listed (RTRT) receptacle rated 60A max. and UL Listed switch (WFXV) rated 60A max. The receptacle(s) are screwed onto the Pedoc and holes are provided to mount a UL Listed (QCMZ) non-metallic outlet box cover, suitable for wet locations, or a UL Listed (QCIT) Metallic outlet box cover suitable for use in wet locations. Hinge Top models are usable with a UL listed (RTRT) rated 30A max. GFCI receptacle. The receptacle(s) are screwed onto the removable receptacle mounting plate.

Splices are to be made with proper splicing equipment, materials or kits. Pedocs are also UL Listed as a mounting post. There are no knockout locations provided. Mounting holes for fixtures or photocells are to be drilled before installation. When fixtures are mounted or raceways are extended from the top of the Pedoc a Meyer’s hub, sealing locknut, or sealing washer shall be used.

Installation Instructions for Models with Integral Base

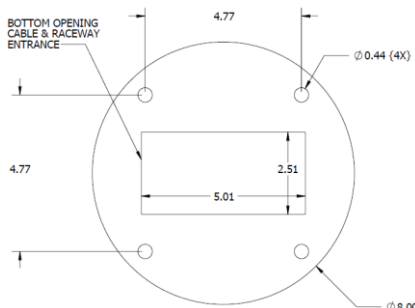
Model Numbers beginning with: 1P6 • 1P12 • 1P18 • 1P24 • 1P36 • 1P42 • 1P48 • 2P6 • 2P12 • 2P18 • 2P24 • 2P36 • 2P42 • 2P48 • 5P18 • 5P24 • 5P30 • 5P36 • 5P42 • 5P48

These models can accommodate two 1-1/2” conduit raceways. There are four (7/16”) holes on the pedestal base. They are secured to a flat surface with the provided hardware. Models 36” and under are provided with 1/4” anchors, washers and acorn nuts. Models 42” and over are provided with 3/8” anchors, washers and acorn nuts.

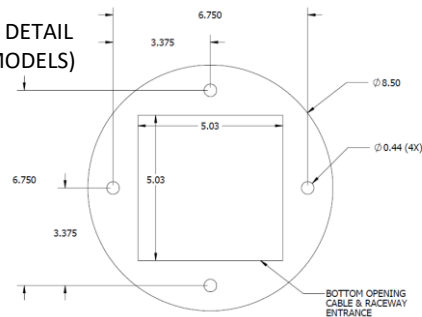


NOTE: 1P6, 1P12, 2P6, 2P12 are for special applications only as they do not meet UL Standard 1773, paragraph 5.3.1. “The distance between the marked final grade level of the mounting post/pedestal and the lowest live part shall not be less than 12”. These models maybe used in applications that extend the height requirement to allow for that 12” distance. Examples would be concrete columns, piers, indoor installations that do not require a “3R” rating. Low voltage for communication applications, such as data, voice, ethernet or speaker wiring can be located lower than the 12” minimum.

BASE DETAIL
(1P & 2P
MODELS)



BASE DETAIL
(5P MODELS)



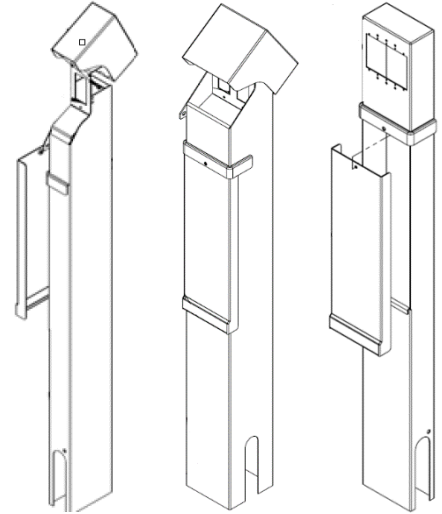


UL Installation Instructions for Models without Base

Model Numbers beginning with:

142 • 148 • 154
 242 • 248 • 254
 542 • 548 • 554

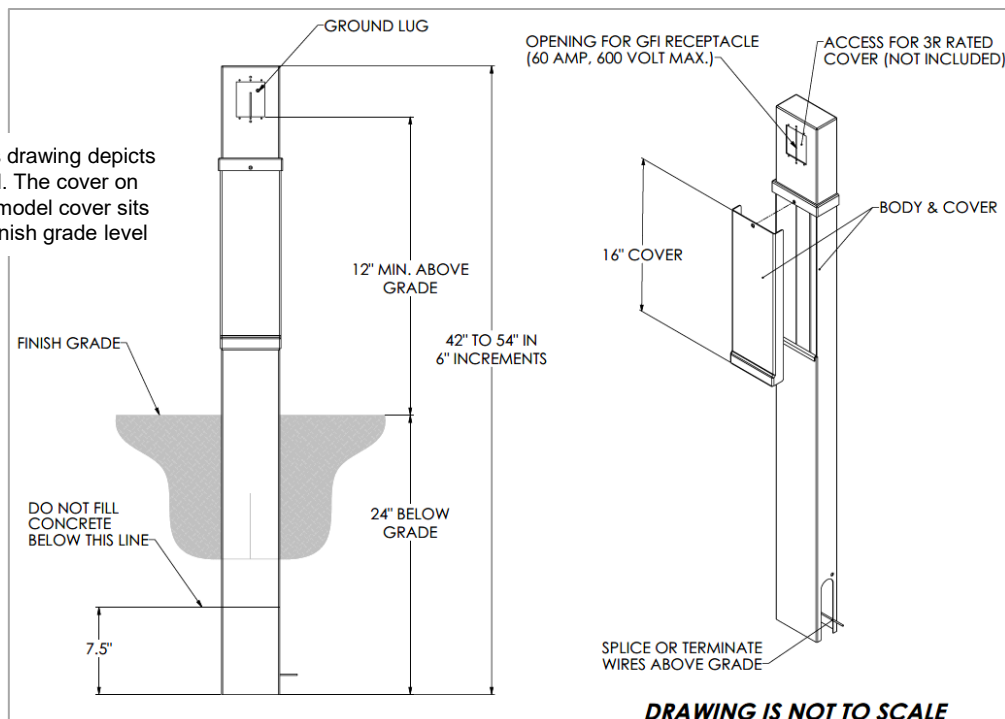
Units are to be installed 24" into the ground. If a supporting method is not available, then a concrete backfill, or equivalent material, shall be used. If concrete is used, the backfill should be placed so that the cables or raceways are not allowed to become embedded in the concrete. First cover any cable or raceway with sand or similar backfill, so that they can move independently of the Pedoc (see illustration). Pedocs can be also mounted onto an optional Pedoc mounting base (PMB).



Additional Features

- Removable front cover which provides adequate room for raceway placement and wire or cable installation.
- Slots are provided on the sides to provide entry points for raceways and cables.
- These models can accommodate conduit raceways up to 1 inch through the wire slots, or up to 1 1/2" through the bottom.

NOTE: This drawing depicts a 54" model. The cover on the 42" tall model cover sits 16" below finish grade level





THE OUTDOOR ELECTRIC POWER SOLUTION



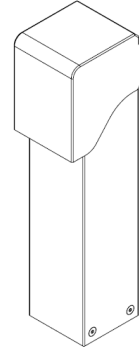
UL Installation Instructions for Models with Internal Mounting Bracket

Model Numbers beginning with:

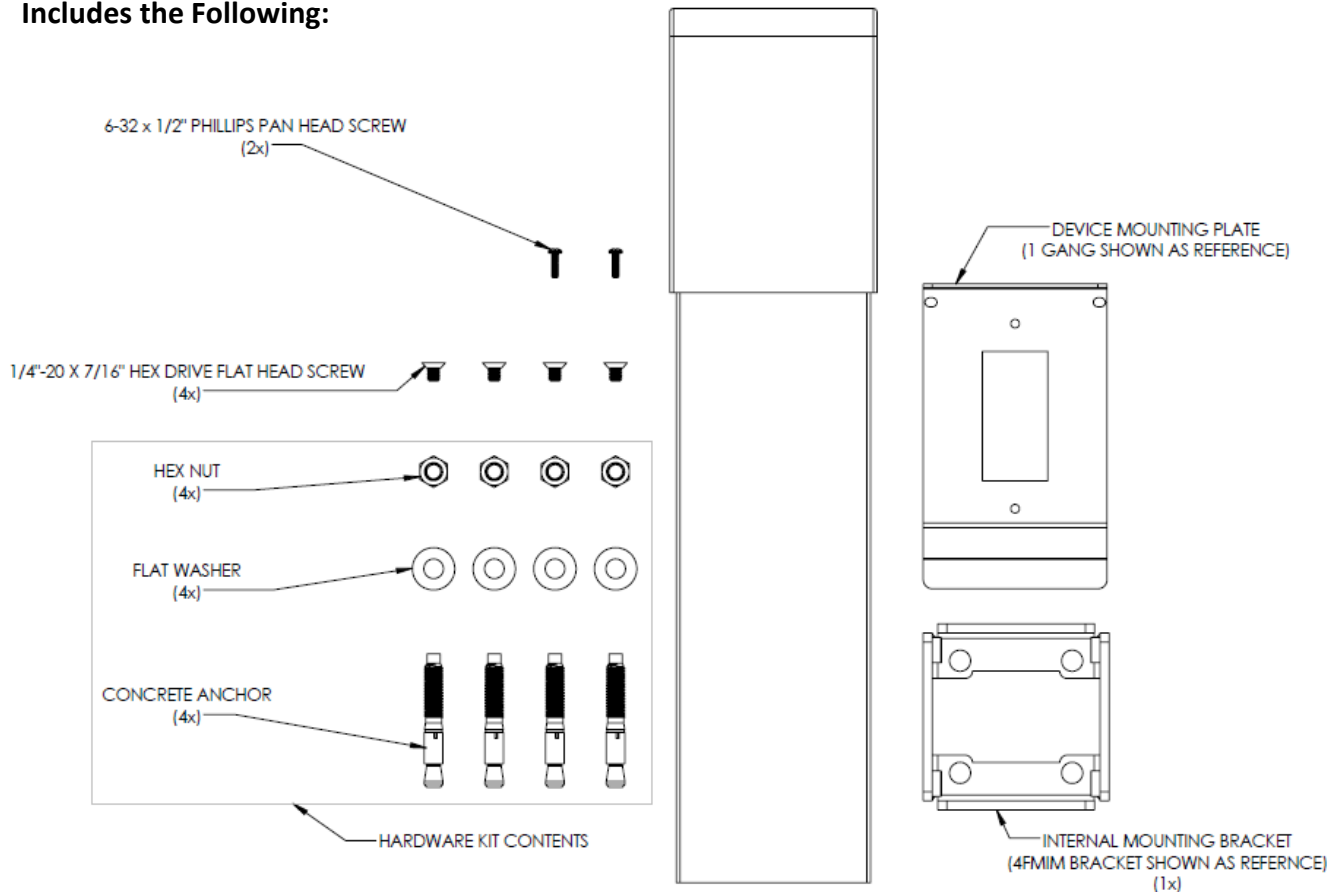
4FMIM12 • 4FMIM18 • 4FMIM24 • 4FMIM30 • 4FMIM36

Each model can accommodate one to two conduit raceways, see Internal Mounting Bracket Detail on page 3. There are four (7/16") holes on the internal mounting bracket. They are secured to a flat surface with the provided hardware.

NOTE: All 12" heights are for special applications only as they do not meet UL Standard 1773, paragraph 5.3.1. "The distance between the marked final grade level of the mounting post/pedestal and the lowest live part shall not be less than 12". These models may be used in applications that extend the height requirement to allow for that 12" distance. Examples would be concrete columns, piers, indoor installations that do not require a "3R" rating. Low voltage for communication applications, such as data, voice, ethernet or speaker wiring can be located lower than the 12" minimum.



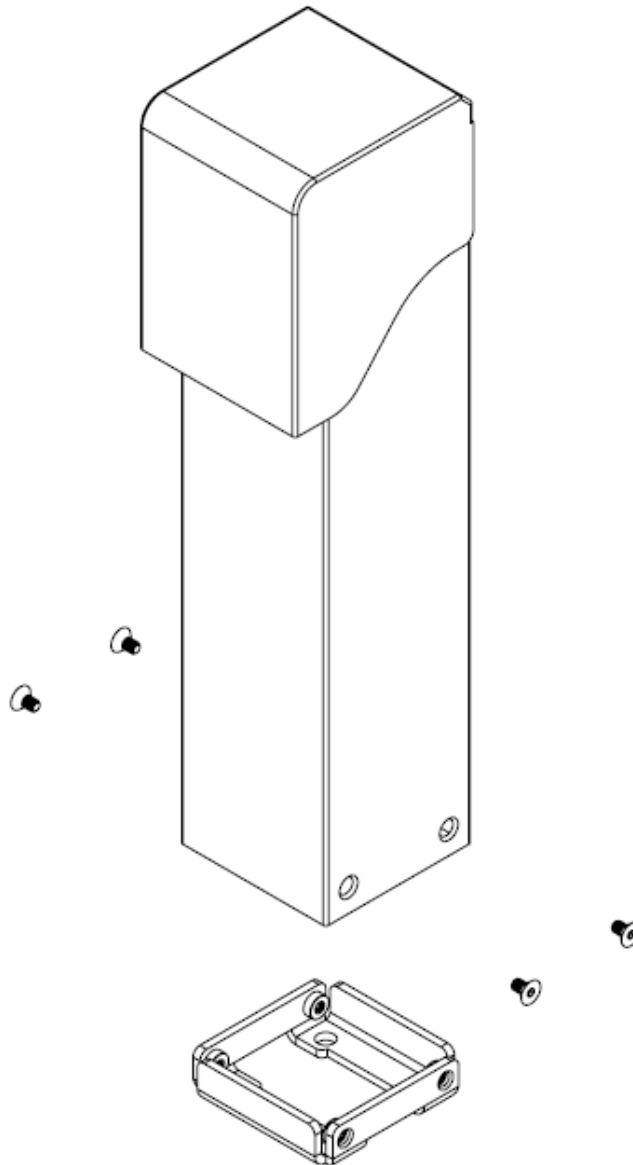
Includes the Following:





UL Installation Instructions for Models with Internal Mounting Bracket

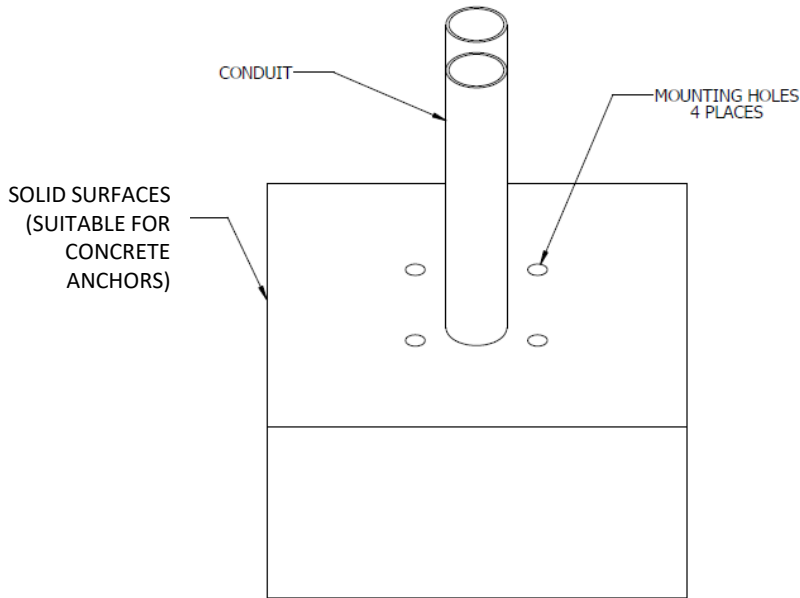
- 1) Remove Internal Mounting Bracket located inside the bottom of the Pedoc.
 - Use a 5/32" Allen wrench or hex drive bit to remove the (4) screws located at the bottom of the Pedoc
 - **Note: Do NOT discard the bracket or screws as they will be re-installed in a later step.**



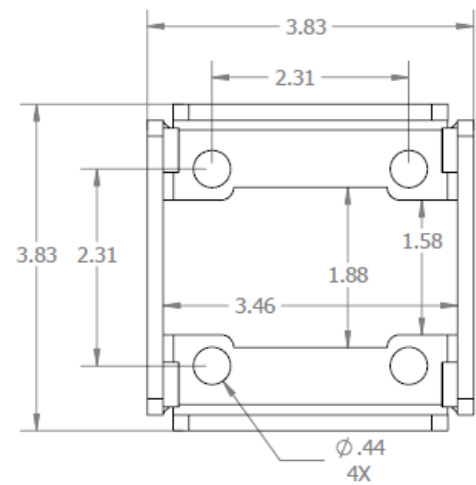


UL Installation Instructions for Models with Internal Mounting Bracket

- 2) Drill (4) Mounting holes using the supplied internal mounting bracket as a template or use the dimensions shown in Internal Mounting Bracket Detail diagram below.

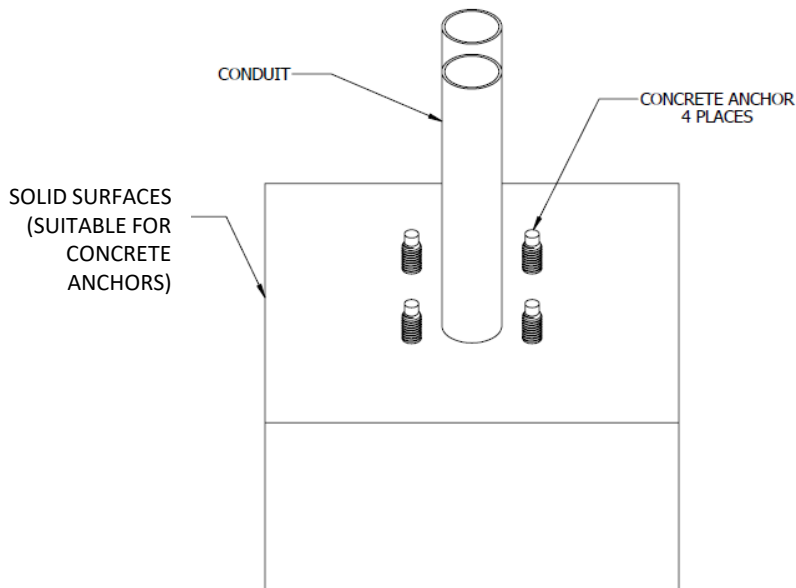


Internal Mounting Bracket Detail



Can accommodate: two 1-1/4" conduits

- 3) Install (4) Anchors

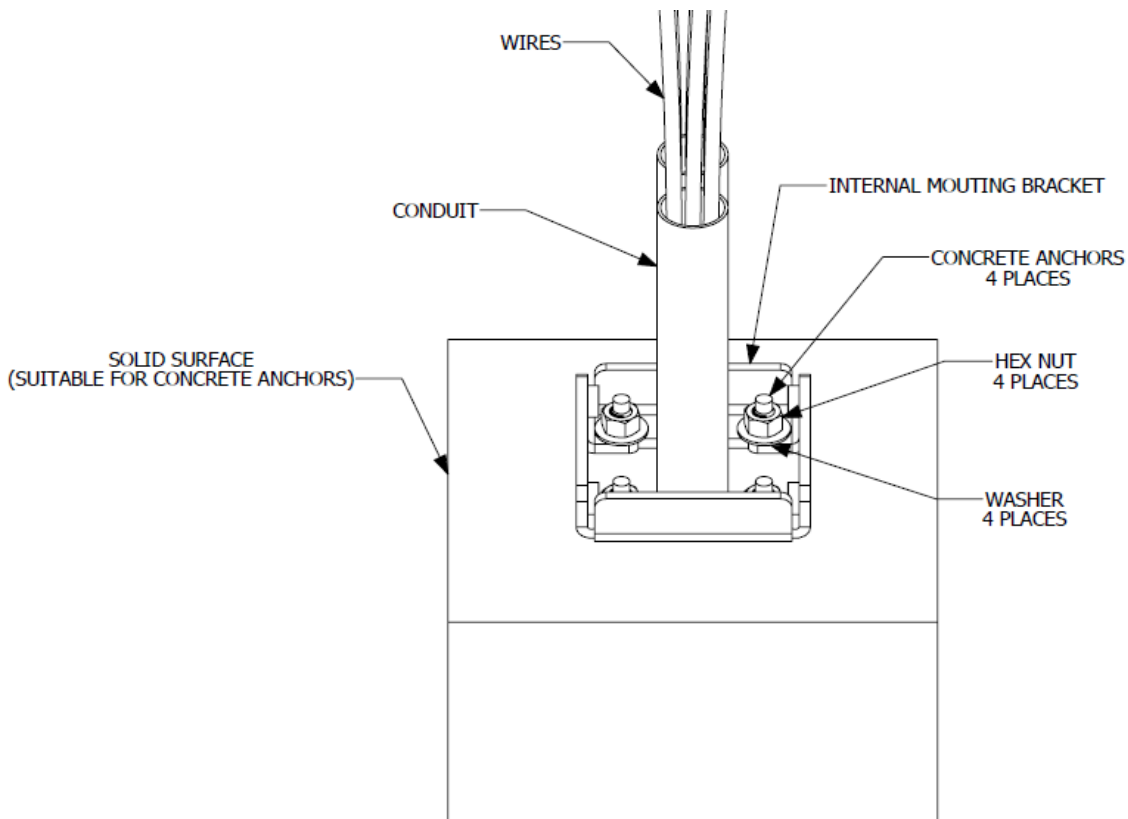




UL Installation Instructions for Models with Internal Mounting Bracket

- 4) Install Internal Mounting Bracket onto Anchors using (4) Washers and (4) Hex Nuts.
- 5) Pull wires to desired length.

Note: Do not fasten conduits, raceways, or cables to the Pedoc itself. "S" loops shall be formed with the cables and wires to prevent stress on wires inside the enclosure. This will ensure that the cables and wires have adequate room to adjust for grade level changes caused by freezing and thawing cycles, and soil subsidence. Ground wires are to be included with supply conductors, and then shall be used to provide the connection to the Pedoc ground terminal.



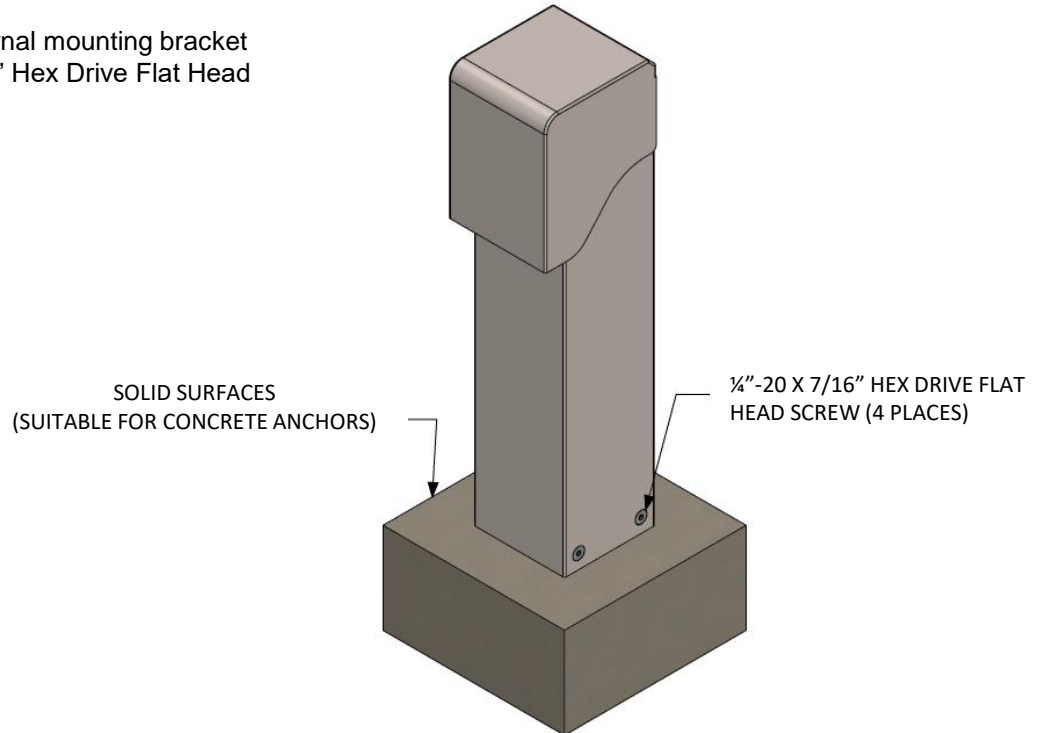


THE OUTDOOR ELECTRIC POWER SOLUTION

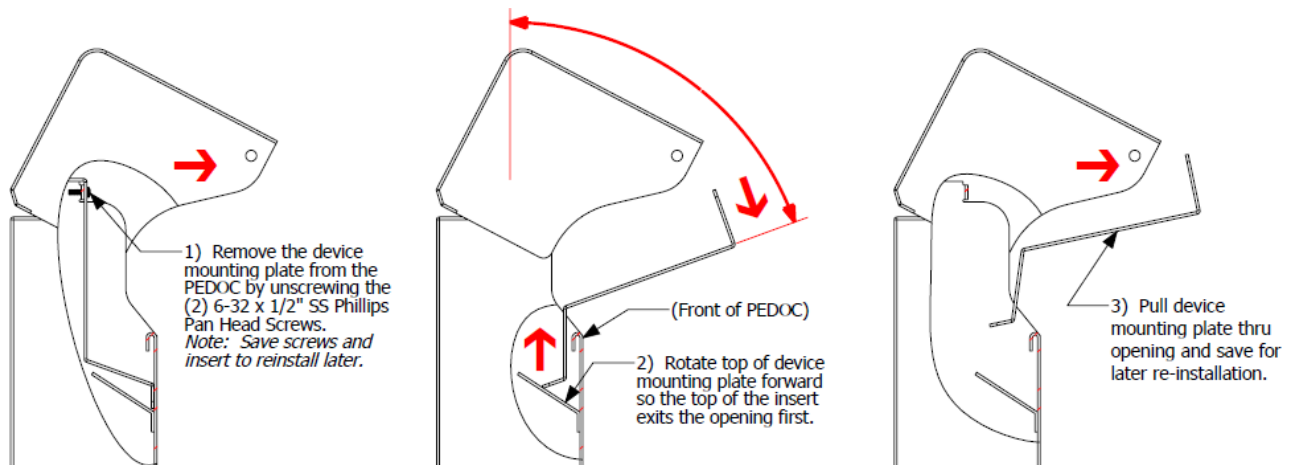


UL Installation Instructions for Models with Internal Mounting Bracket

- 6) Install Pedoc over internal mounting bracket using (4) 1/4"-20 X 7/16" Hex Drive Flat Head Screws.



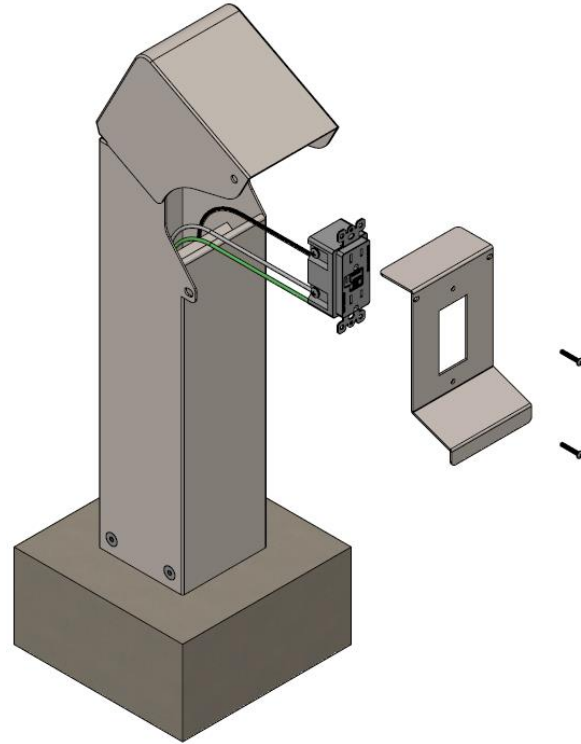
- 7) Remove device mounting plate from Pedoc by removing the (2) 6-32 x 1/2" SS Phillips Pan Head Screws. Follow steps 1 thru 3 shown in the images below.





UL Installation Instructions for Models with Internal Mounting Bracket

- 8) After wire termination Install the device into the device mounting plate using the screws supplied.
(Note: Shown is a GFCI receptacle and a 1 Gang device mounting plate.)



- 9) Place the wired device mounting plate into the Pedoc, following steps 1 thru 3 shown below.
Note: Images shown below are shown without wires as reference only.

