

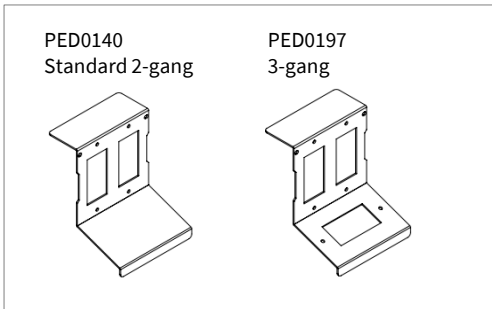
5x5 Device Mounting Plates

UL Listed: Standard 1773. Rated NEMA 3R. Options that meet ADA minimum 15" receptacle height requirement.

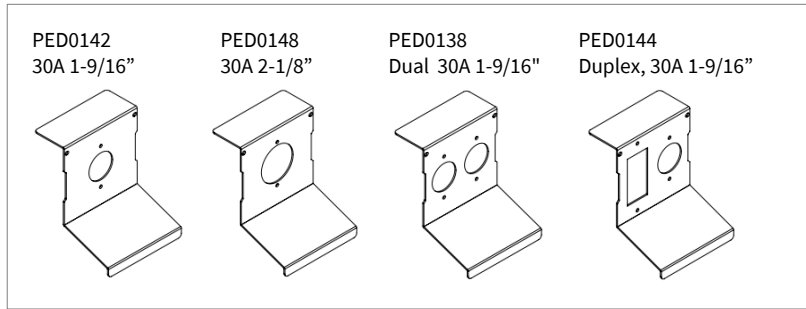
Device Mounting Configurations for 5x5 With and Without Base Models

Each 5x5 models comes with one removeable device mounting plate. When specifying or ordering, indicate the corresponding preferred PED number.

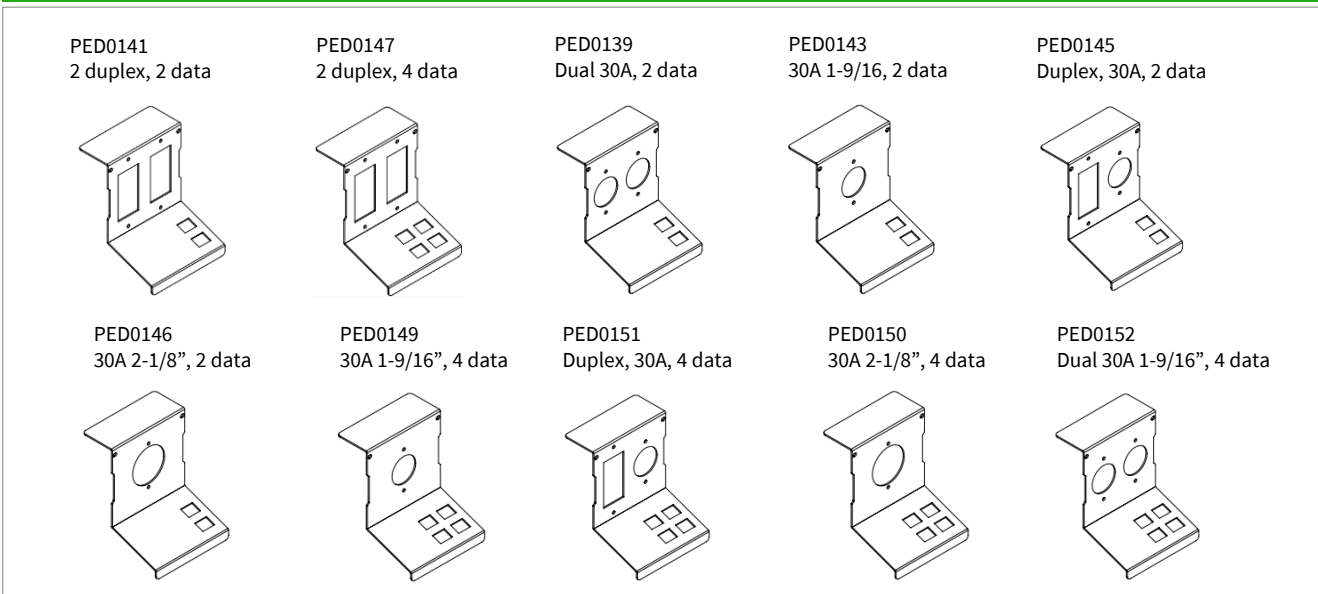
Suitable for 20 Amp models (HT-1)



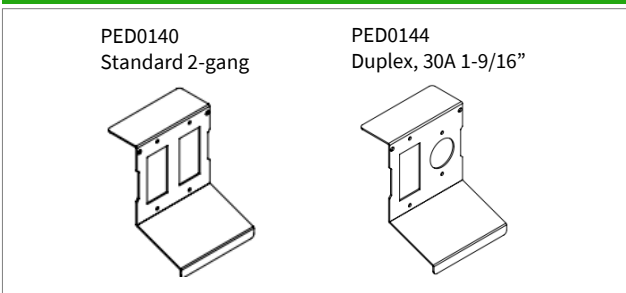
Suitable for 30 Amp models (HT-3)



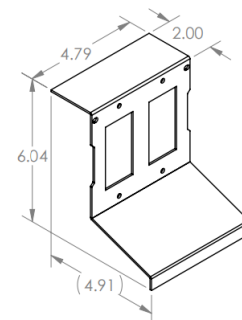
Suitable for Corner Divided Models (D-HT-2)



Suitable for Center Divided Models (D-HT-1, -3)



Typical Dimensions



Finishes

