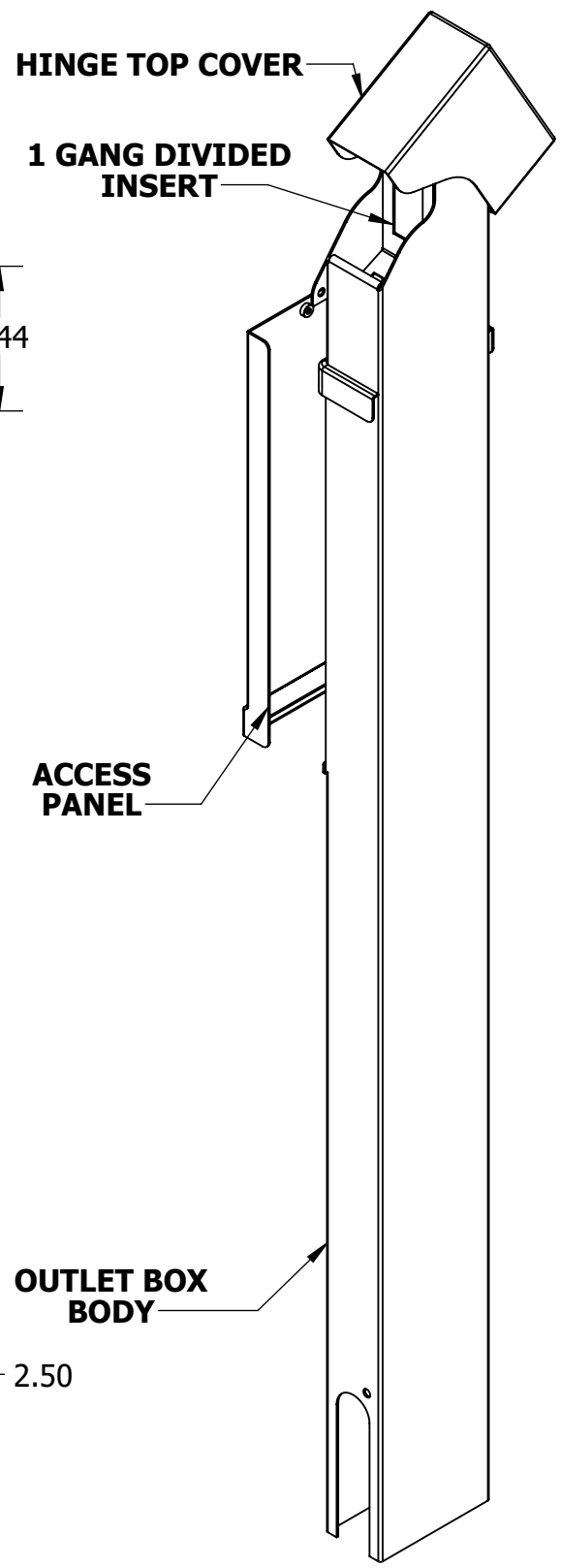
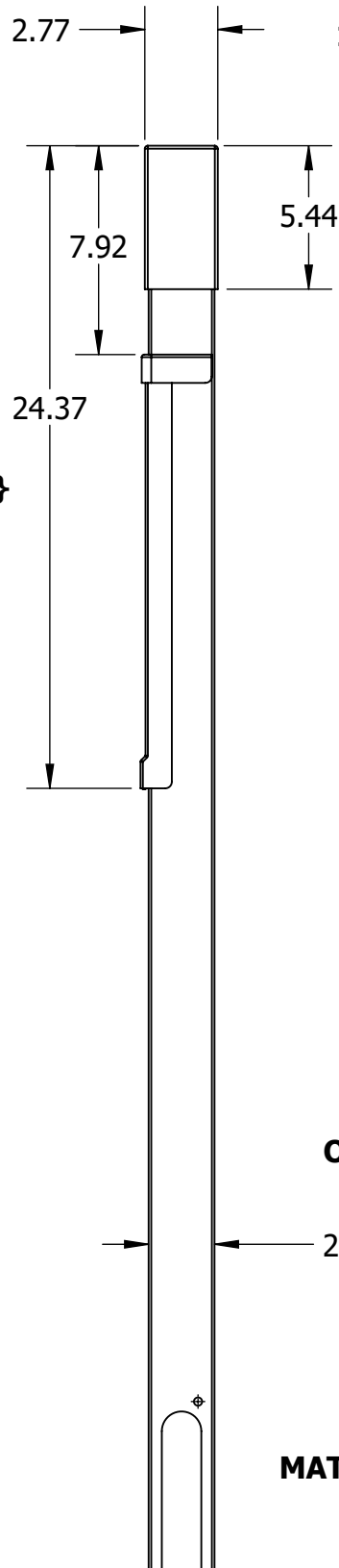
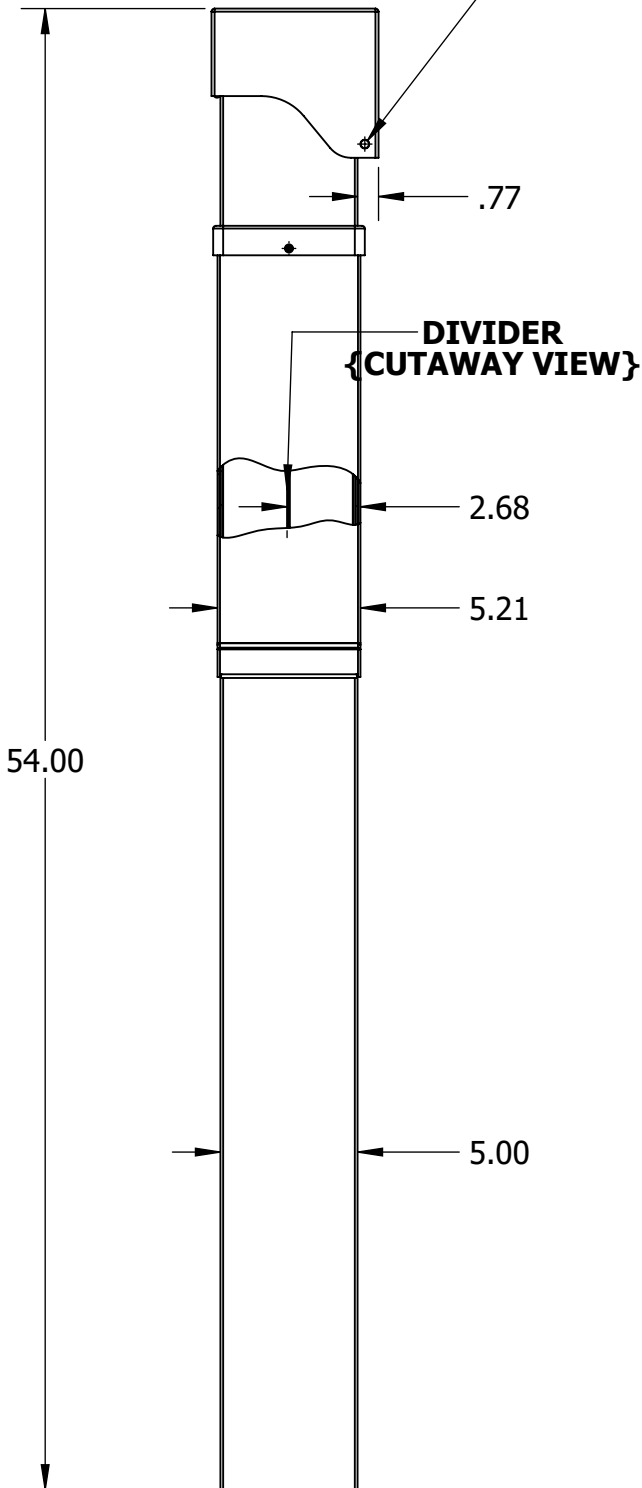


$\phi .300$
 {LOCKING HOLE}



MATERIAL: 14GA STAINLESS STEEL



THE OUTDOOR ELECTRIC POWER SOLUTION

PART: 154-D-HT

DESCRIPTION: PEDOC Hinge Top Outlet Box without Integral Base